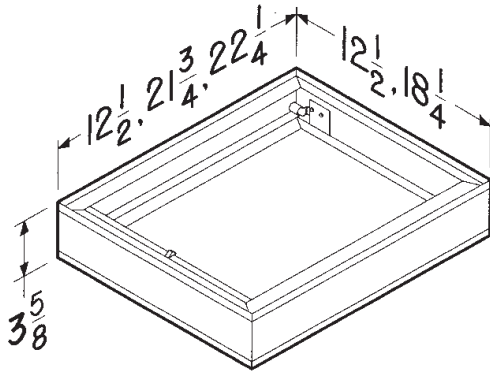




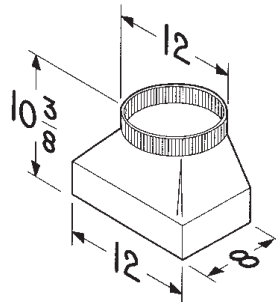
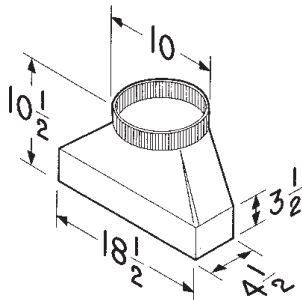
CEILING AND IN-LINE VENTILATOR ACCESSORIES

RADIATION DAMPERS, DUCT TRANSITIONS, METAL GRILLS FOR FF/FFC UNITS



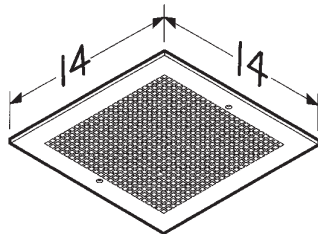
Models RD1, RD2 & RD3 Radiation Dampers

- UL rated 4-hour ceiling radiation dampers - classified for use in a 4-hour fire-rated ceiling
- Galvanized steel frame
- High temperature, non-asbestos, reinforced fiber thermal fabric
- 165°F fusible link
- Stainless steel negator-type closure spring
- RD1 (12 1/4" x 12 1/4") fits FF100 - FF300
- RD2 (21 1/2" x 18") fits FF400 - FF700
- RD3 (22" x 18") fits FF900 - FF1500



Models 423 & T81212 Duct Transitions

- Galvanized steel
- Allows for quick transition to easy-to-obtain-and-install round ducting
- 423 (4 1/2" x 18" to 10" round) for use with FF400 thru FF700
- T81212 (8" x 12" to 12" round) for use with FF900 and FF1500



Model MG 1 Metal Grill Kit

- White enamel painted steel
- Mounting screws included
- Fits FF100, FF150, FF200, FF250 & FF300

Project: _____	Submitted: _____
Customer: _____	Approved: _____
Location: _____	

Subject to change unless approved in submittal by Soler & Palau

