



PC80XP

CEILING MOUNTED VENTILATION FANS



SPECIFICATIONS

Standard Features:

Extremely quiet operation
Totally enclosed AC motor built for long life
Robust steel housing

Max. Shipping Dimensions & Weight:

14" L x 16" W x 12" H
11 lbs.

PC Grille Kit Options:

PCRD: PC/PCXP/PCD/PCDXP/PCLPXP Series
Radiation Damper
PCLEDKRDP: Radiation Damper with PCLEDKP
Lighted (LED) Grille
PCMGKRDP: Radiation Damper with PCMGP Metal Grille
PCMHKRDP: PCXP Motion/Humidity and Radiation Damper
PCLKP: PCXP/PCDXP Series Lighted (CFL) Grille (not compatible w/ PCRD or PCVRD Radiation Damper)
PCLEDKP: PCXP/PCDXP Series Lighted (LED) Grille
PCMHKP: PCXP Motion/Humidity Sensor Kit
PCMGP: PCXP/PCDXP Series Metal Grille
PCLMHKP: PCXP Lighted Motion/Humidity Sensor Kit
PCLEDMHKP: PC AC Motion Sensing/Humidity LED Light Grille Kit

PC Plug and Play Module Options:

PCSCP: PCXP Speed Control (not compatible with PCMHKP or PCLMHKP)
PCHSP: PCXP Humidity Sensor (not compatible with PCMHKP or PCLMHKP)

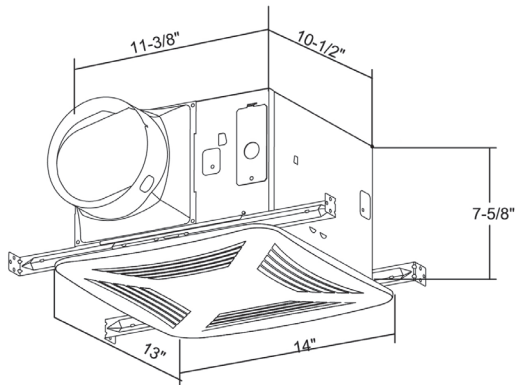
General Accessories (Residential/Light Commercial):

GRA-100: 4" Aluminum Exterior Fixed Grille
GRA-150: 6" Aluminum Exterior Fixed Grille
PER-100W: 4" Aluminum Exterior Fixed Grille
PER-150W: 6" Plastic Louver Shutter
RC-4: 4" Roof Cap
RC-6: 6" Roof Cap
Model 641 Alum (wall cap)
349-D: Alum Sidewall Vent with Damper

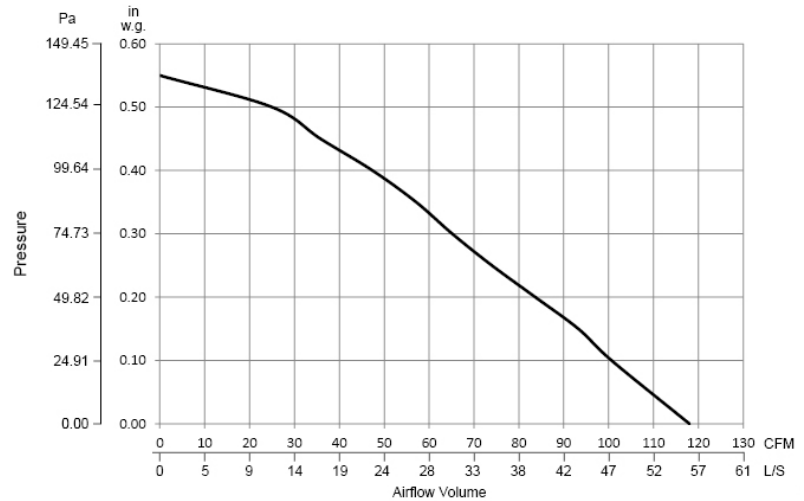
Electrical Accessory (Residential/Light Commercial):

SRT-30: Rotary Spring Wound Timer
FLTD-60: Fan/Light Delay Timer Switch
EPBT-60: Electronic Push Button Timer
FT622: ASHRAE 62.2 Bath Fan Ventilation Controller
FT247: Programmable Fan Timer 24 Hour/7 Day
PC3S: 3-SWITCH Control for PC Fan Options
MD6: 6" Motorized Damper 24V
MD4: 4" Motorized Damper 24V

DIMENSIONS



AMCA PERFORMANCE CURVE



AMCA PERFORMANCE

Duct (in)	Airflow (CFM) / Sound (Sones) at Static Pressure (in WG)											Frequency (HZ)	Voltage (V)	Max Power (W)	Max Current (Amps)	Nominal Speed (RPM)
	0	0.10	0.15	0.20	0.25	0.30	0.35	0.40	0.45	0.50	0.55					
6"	118	101	93	84	74	65	57	47	36	25	0	60	120	30	0.25	915
	0.6	1.0	-	-	1.7	-	-	-	-	3.6	-					



- Performance certified is for installation type B: Free inlet, ducted outlet.
- Rating method "F" (direct drive, aas run speed, high slip motor)
- Speed shown is nominal. Performance is based on actual speed of test.
- Performance ratings include the effects of integral backdraft damper and grille.
- The sound ratings shown are loudness values in hemispherical sones at 1.5 m (5 ft) in a hemispherical free field calculated per AMCA Standard 301.

- Values shown are for: installation type B: free inlet hemispherical sone levels.
- S&P USA Ventilation Systems, LLC certifies that the fans shown herein are licensed to bear the AMCA seal.
- The ratings shown are based on tests and procedures performed in accordance with AMCA Publications 211 and 311 and comply with the requirements of the AMCA Certified Ratings Program.

HVI PERFORMANCE

Duct (in)	Airflow (CFM)	Static Pressure (in WG)	Sones	Frequency (HZ)	Voltage (V)	Rated Power (W)	Efficacy (CFM/W)
4"	80	0.1	0.8	60	120	24	3.3
	60	0.25	-			-	
6"	90	0.1	0.7	60	120	24	3.7
	66	0.25	-			-	

