



ADVANCING VENTILATION®

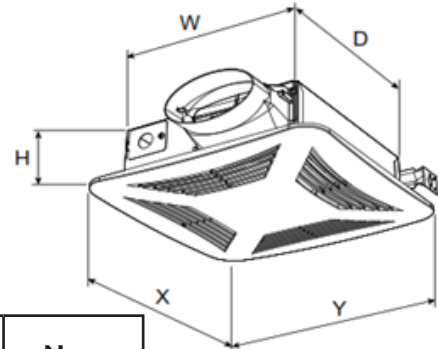
PCLP80

(Low Profile Ceiling or Wall Mounted Ventilation Fan)



Dimensions (Inches)

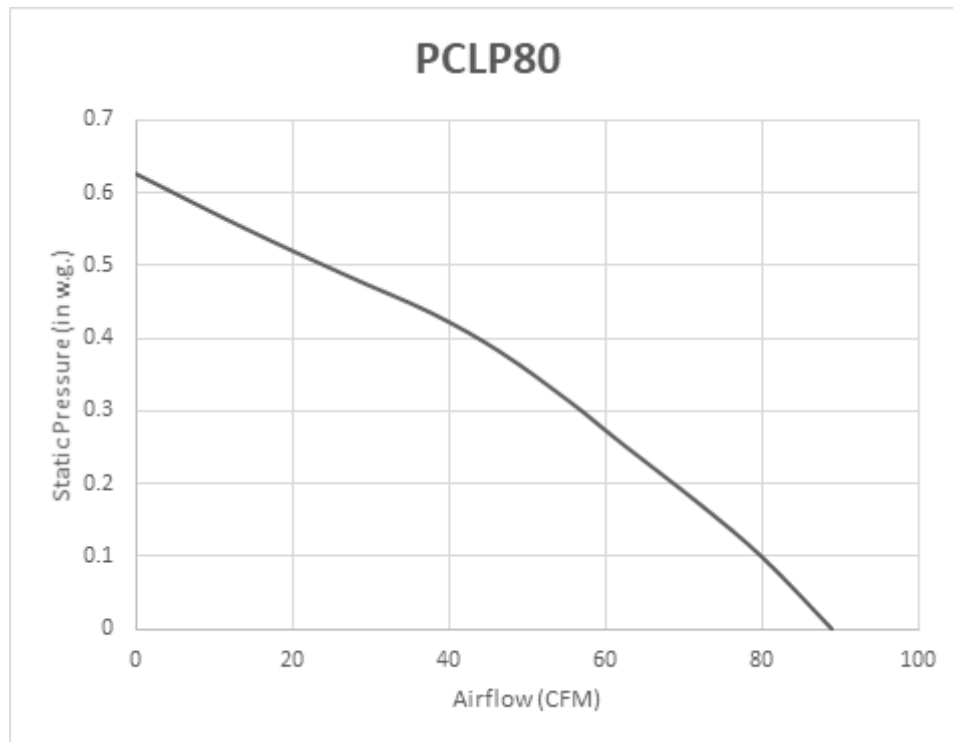
Duct Dia. (oval)	Dimensions					Unit Wgt. (lbs)
	X	Y	W	D	H	
4	13	14	10-1/4	10-1/4	3-3/4	7



Performance

CFM	Static Pressure (in w.g.)	Sound (Sones)	Efficacy (CFM/W)	Max Power (Watts)*	Voltage/Frequency	Max Current (Amps)*	Nom RPM
80	0.1	1.2	3	25.9	120 VAC / 60Hz	0.23	765
62	0.25	-	2.4				

*Values are based off test data.



Accessories

- PCLPSC - Speed Control
- PCLPHS - Humidity Sensor
- PCLPLEDK - LED Lighted Grille
- PCLPRD/PCRD - Radiation Damper
- PCLPLEDKRD - LED Lighted Grille & Radiation Damper Kit
- PCLPR4-3 - 4" Oval to 3" Round Reducer



*PCLP80 is also available in contractor packs (PCLP80F - 4 e.a. motor/grille & PCLPH - 4 e.a. housing)