



PRF - Radon Mitigation Fans



Advancing Ventilation[®]



Radon: A health hazard with a simple solution.

Radon is a hazardous, odorless gas that is everywhere! You cannot see, taste or smell radon, and it is impossible to detect in your home without professional radon testing. If radon gas lingers in your home for an excess period of time you potentially put yourself and your family in harms way. The EPA estimates radon is the #1 cause of lung cancer among non-smokers and second leading cause of lung cancer.*

Radon is a radioactive gas which comes from the natural decay of uranium found in nearly all soils. The gas typically moves up through the ground to the air above and into your home through cracks, crawlspaces, floor drains, pipes, and sump pumps. When it gets trapped in your home the gas can build up to dangerous levels. Any home may have a radon problem; new and old homes, well-sealed and drafty homes, and homes with or without basements. While your neighbor's home could test at low levels of radon gas, your home may have unsafe levels of radon. This is why it is important to test for radon.



Testing is the only way to know if you and your family are at risk. Testing is easy and inexpensive; most hardware stores carry radon test kits. If the radon level is above 4 Picocuries per liter (4pCi/L) the EPA recommends you mitigate your home.

Reducing radon levels in your home is easy. The first step is to find a qualified radon service professional to mitigate your home. To find a qualified radon contractor to fix high levels of radon in your home's air or water contact your state's radon office or get help from the EPA website at: <https://www.epa.gov/radon/find-radon-test-kit-or-measurement-and-mitigation-professional>

*For more information about radon risks and solutions visit <https://www.epa.gov/radon>

Typical Installations

A licensed radon mitigator will design the right solution for your home. Typically a radon system works by lowering the air pressure beneath your home using a specially designed radon fan. The fan draws out the radon gas and safely vents it through a pipe above the roof. The fan can be installed on the exterior of the home (Figure 1) or through the interior or garage (Figure 2).

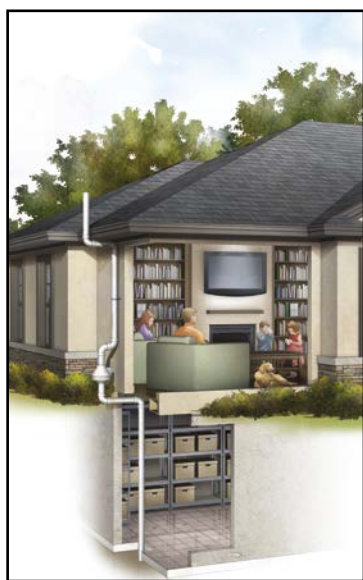


Figure 1



Figure 2

PRF - Radon Mitigation Fans



PRF-100



PRF-150

Application

PRF fans are specifically designed for radon mitigation.

Specifications

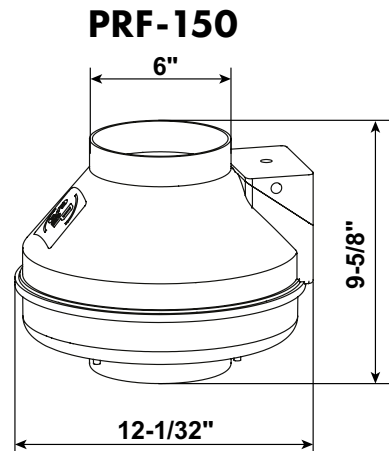
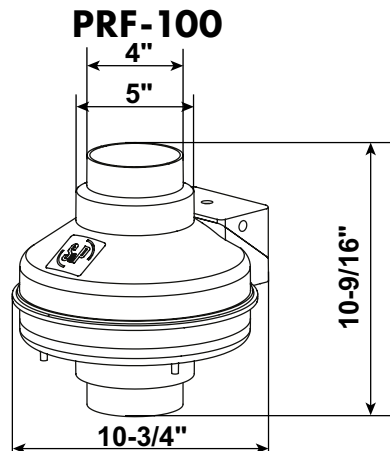
- Duct connections sized for easy fit with standard PVC couplings typically used in radon mitigation applications
- Fully sealed, high quality plastic housing
- Large, easily accessible, watertight electrical box for unobstructed wiring process
- Easily mount on duct pipe or use heavy-duty metal mounting bracket (sold separately)
- Significantly less expensive than comparable alternatives
- Thermal overload protection
- HVI Certified Performance
- cETLus certified
- 5-year warranty



PRF Performance

Model	Size	Electrical	Power (W)	Current (A)	RPM	Airflow (CFM) @ Static Pressure (in wc)					
						0.00	0.20	0.40	0.60	0.80	1.00
PRF-100	4" or 5"	1/60/120V	91	0.77	3080	169	150	133	117	99	82
PRF-150	6"	1/60/120V	135	1.15	2890	321	290	263	238	217	193

Dimensions



Radon Installation Kits

Kits include two flexible black couplings with stainless steel hose clamps, a U-tube manometer, and radon system labels. The U-tube manometer (PR-M) is available to purchase separately.



Kit	Used with Model	PVC pipe size
PRFIK-43	PRF-100	3"
PRFIK-44	PRF-100	4"
PRFIK-64	PRF-150	4"



S&P USA Ventilation Systems, LLC

6393 Powers Avenue
Jacksonville, FL 32217
T. 904-731-4711 • F. 904-737-8322
www.solerpalau-usa.com

S&P Canada Ventilation Products, Inc.

6710 Maritz Drive Unit #7
Mississauga, ON L5W 0A1 - Canada
T. 416-744-1217 • F. 416-744-0887
www.solerpalaucanada.com

