



# **MODEL S FAN**

## **WALL EXHAUST SHUTTER FAN**

### **MODEL FEATURES**

- Totally enclosed, ball bearing motor with thermal auto reset
- One piece spun Venturi for maximum efficiency
- Quality engineered and power coated metal wall housing
- Low leakage nylon shutter seals
- Completely assembled & ready to install

---

### **MODEL OVERVIEW**

The S&P Model S wall exhaust shutter fan is available in size 8” to 36”. These fans ship completely assembled with rear guard, wall sleeve and back draft damper ready to install for use in light commercial applications. 2 speed fans come complete with a 2 speed wall switch.

### **CONSTRUCTION/SPECIFICATION CHECKLIST**

#### **Housing and Motor**

- All models include totally enclosed, ball bearing motor with thermal auto reset
- Single Speed, 2 Speed & Variable Speed are normal stock
- Power coated metal wall housing
- Efficiently designed and balanced axial blades
- One piece spun venturi for maximum efficiency
- Rear OSHA Guard is standard up to model S-24
- Aluminum back draft shutters
- Low leakage nylon shutter seals

### **OPTIONAL ACCESSORIES**

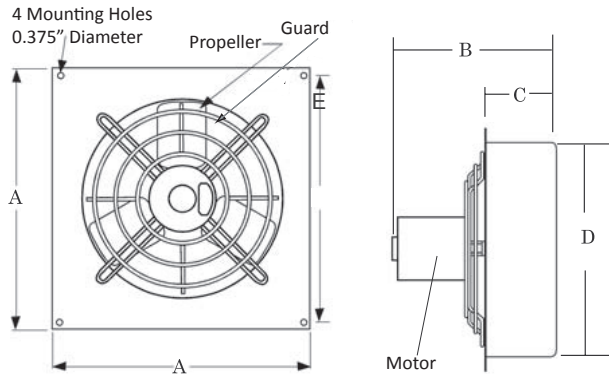
- Speed control for V series fans
- 45 Degree Weather Hood
- Call for Explosion Proof or EC Motors

**1 year fan housing and motor warranty**



## PERFORMANCE/DIMENSIONS

### DIMENSIONS IN INCHES



Size	A	B	C	D	E
8"	13 <sup>1/4"</sup>	10"	4"	10 <sup>3/4"</sup>	12
10"	15 <sup>1/4"</sup>	10"	4"	12 <sup>3/4"</sup>	14
12"	17 <sup>1/4"</sup>	14"	6"	14 <sup>3/4"</sup>	16
14"	19 <sup>1/4"</sup>	14"	6"	16 <sup>3/4"</sup>	18
16"	21 <sup>1/4"</sup>	14"	6"	18 <sup>3/4"</sup>	20
18"	23 <sup>1/4"</sup>	15"	6"	20 <sup>3/4"</sup>	22
20"	25 <sup>1/4"</sup>	16"	6"	22 <sup>3/4"</sup>	24
24"	29 <sup>1/4"</sup>	16"	6"	26 <sup>3/4"</sup>	28
30"	35 <sup>1/4"</sup>	19"	6"	32 <sup>3/4"</sup>	34
36"	41 <sup>1/4"</sup>	16"	6"	38 <sup>3/4"</sup>	40

### Performance & Specifications

Model	Blade Diameter	RPM	HP	VOLTS	F.L. Amps	0.0"	0.10"	0.125"	0.25"	Sound dbA	Weight (lbs)
S8-2	8"	1600/1350	0.05	120	.95/.45	400/330	320/260	280/230	180/140	48/43	12.00
S10-2	10"	1600/1350	0.05	120	1.2/0.7	690/580	590/460	570/390	550/340	56/50	13.00
S12-1	12"	1725	0.25	120	4.40	1680	1600	1575	1460	63	28.00
S12-2	12"	1625/1140	0.25	120	4.2/2.6	1640/1088	1560/950	1552/935	1400/810	61/54	28.00
S12-V	12"	1640	0.25	120/240	4.4/2.2	1650	1560	1525	1400	61	32.00
S14-1	14"	1725	0.25	120	4.40	2240	2132	2045	1957	67	30.00
S14-2	14"	1625/1140	0.25	120	4.2/2.6	2150/1510	2045/1350	2000/1320	1825/1205	64/58	30.00
S14-V	14"	1640	0.25	120/240	4.4/2.2	2170	1942	1863	1782	61	35.00
S16-1	16"	1725	0.25	120	4.40	2650	2449	2276	1920	66	33.00
S16-2	16"	1625/1140	0.25	120	4.2/2.6	2570/1696	2350/1410	2275/1502	1500/1188	63/58	33.00
S16-V	16"	1640	0.25	120/240	4.4/2.2	2582	2358	2275	1521	63	36.00
S18-1	18"	1725	0.33	120	5.40	3200	3090	3040	2920	73	37.00
S18-2	18"	1625/1140	0.33	120	5.7/3.2	3513/2318	3345/2207	3288/2169	3080/2032	71/63	38.00
S18-V	18"	1640	0.33	120/240	5.4/2.7	3520	3349	3290	3088	72	45.00
S20-1	20"	1725	0.33	120	5.40	3420	3220	3170	3020	77	41.00
S20-2	20"	1625/1140	0.33	120	5.40	3365/2219	3174/2094	3110/2052	2950/1953	76/67	47.00
S20-V	20"	1640	0.33	120/240	5.4/2.7	3370	3180	3110	2960	76	47.00
S24-1	24"	1140	0.33	120	7.30	5300	5050	4950	4700	72	53.00
S24-V	24"	1140	0.50	120/240	8.7/4.4	5500	5310	5180	4937	74	62.00
S30-1	30"	860	0.50	120/240	9.8/4.9	8000	7000	6000	5000	78	72.00
S36-1	36"	860	0.50	120/240	9.8/4.9	12000	11000	10500	9500	72	88.00