



5600 Ambler Drive
 Mississauga, Ontario L4W 2K9
 P: 866.733.0233 F: 866.358.5346
 www.solerpalaucanada.com

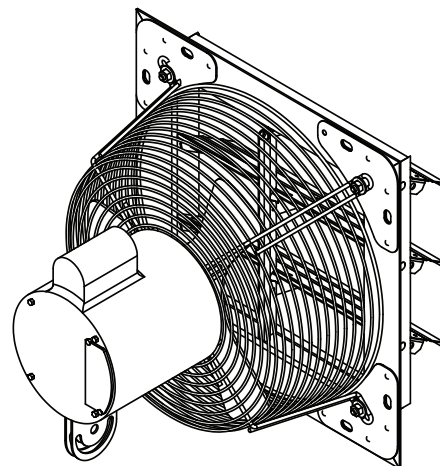
INSTRUCTIONS

READ AND SAVE THESE INSTRUCTIONS

Aluminum Shutter Fans

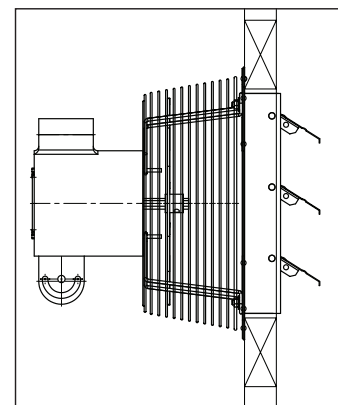
INSTALLATION

1. Frame in your shutter fan opening using the correct rough opening sizes given in the chart below.
2. Place the shutter fan in the opening as shown in the diagram. Make sure the shutter fan is spaced in the opening so there is no interference on the sides of the shutter fan.
3. Fasten the shutter fan using 4 lag bolts and 4 washers (not supplied) through 4 of the 3/8" x 5/8" slots in the shutter. Try to keep all of the lag bolts as close to the center of the slots as possible. This will allow for some adjustment if the shutter is binding.
4. Once you have the shutter fan fastened make sure all the louvres move freely.
5. For CSTR-16, -14 and -24 see wiring diagram.
6. A proper air inlet must be provided with each exhaust fan to ensure the fan is not overloaded. See chart below for recommended inlet opening per fan size.



INSIDE MOUNT

Attach washers and lag bolts through pre-drilled slots in shutter fan



MAINTENANCE

Periodically make sure the louvres, guard and blade are free and clear of dirt and dust build up. Remove any dirt or dust by wiping with a cloth. DO NOT use a pressure washer or compressed air.

Shutter Fan Size	Rough Opening Size	Recommended Inlet Size (Sq Ft)
16" X 16"	16.5" X 16.5"	2.75
20" X 20"	20.5" X 20.5"	4.00
24" X 24"	24.5" X 24.5"	5.50

