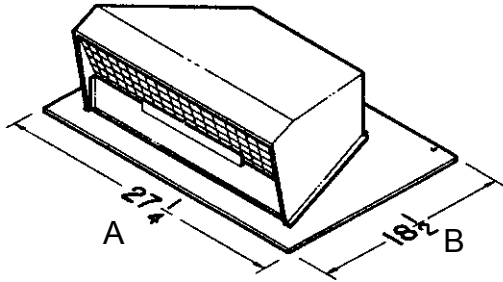




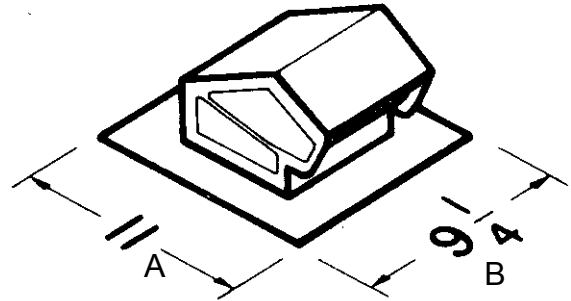
P: 866.733.0233
www.solerpalaucanada.com

CEILING AND IN-LINE VENTILATOR ACCESSORIES

ROOF CAPS FOR FF/FFC UNITS

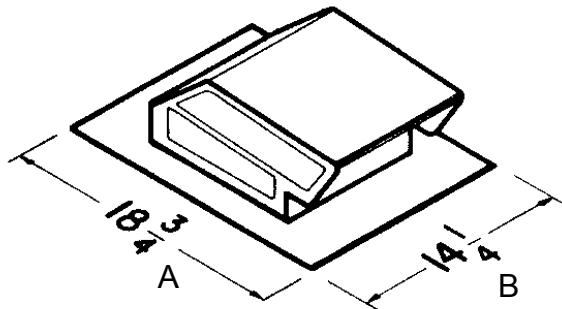


- Model 437**
- High capacity design - up to 1200 CFM
 - Built-in birdscreen
 - Steel, black electrically - bonded epoxy finish



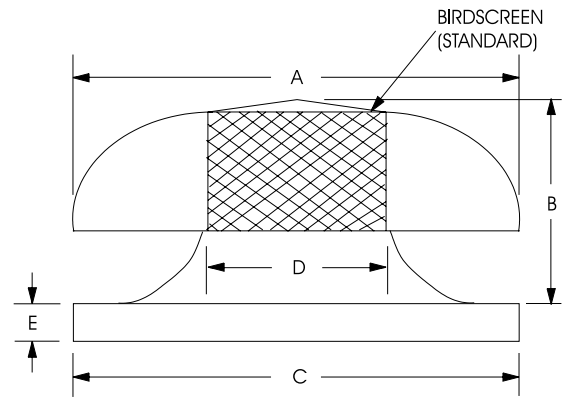
- Model 636**
- Black electrically - bonded epoxy finish
 - Built-in backdraft damper & birdscreen
 - For 3" or 4" round duct

- Model 636AL**
- Same as Model 636 - except Aluminum
 - Natural finish



- Model 634**
- Black electrically - bonded epoxy finish
 - Built-in backdraft damper & birdscreen
 - For 3 1/4" x 10" or up to 8" round duct

- Model 644**
- Same as Model 634 - except Aluminum
 - Natural finish



Model RCXII - 18" and 20" units

Size	A	B	C	D	E	Est. Wt.
18	32 3/4	12 1/2	29 1/2	18 5/8	2	35
20	32 3/4	12 1/2	29 1/2	20	2	35

Project: _____	Submitted: _____
Customer: _____	Approved: _____
Location: _____	