



PCLP80

Low Profile Premium Choice

(Low Profile Ceiling or Wall Mounted Ventilation Fan)

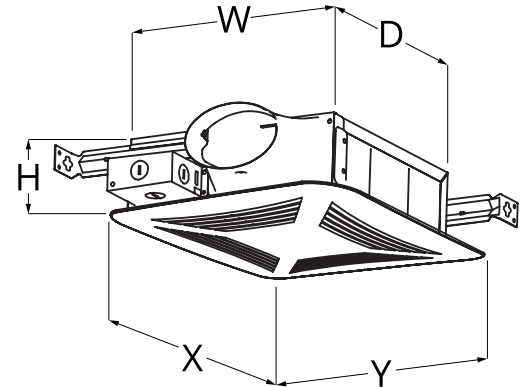


Performance

Model	CFM	Static Pressure (in W.G.)	Watts	Power (V/Hz)	Sones @ 0.1" SP	AMPs
PCLP80	80/62	0.1/0.25	25.9	120/60	1.2	.35

Dimensions

Model	Duct Dia. (oval)	Grille Size (Sq. in inches)	Unit Wgt. (lbs)	Cabinet Size (in Inches)				
				X	Y	W	D	H
PCLP80	4"	13 x 14	7	13"	14"	10-1/4"	10-1/4"	3-3/4"



Options & Accessories

- Contractor Packs (4-packs)
- Humidity Sensor, Plug-&-Play module
- Speed Control, Plug-&-Play module
- Lighted Grille (LED)

Typical Specifications:

Ventilating fan shall be S&P PCLP80 low profile fan suitable for ceiling or wall mounting. The fan shall have a 5-year limited warranty. The fan shall be HVI Certified at 0.1 inch water gauge for CFM performance above. The motor shall be ETL and cETL Listed with impedance protection plus additional thermal protection. The fan shall be ENERGY STAR® Qualified.