



# MODEL PRF-100 and PRF-150 Radon Mitigation Fan

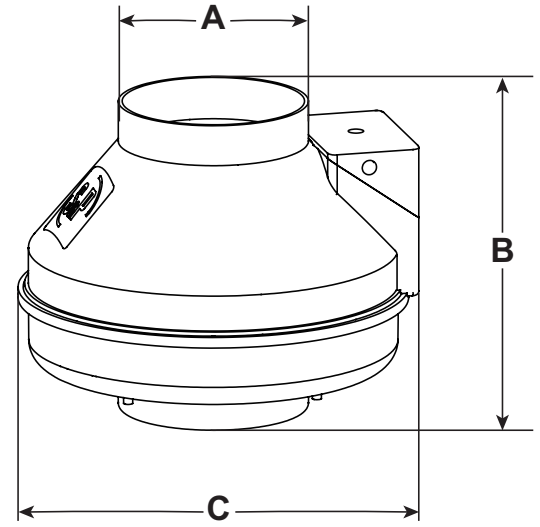
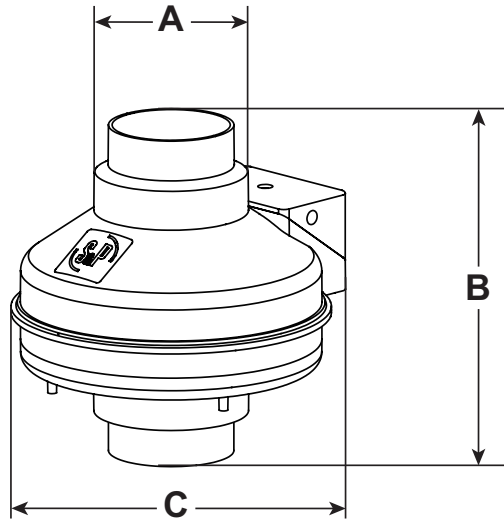
## STANDARD FEATURES

- Duct connections sized for easy fit with standard PVC couplings typically used in radon mitigation applications
- Fully sealed, high-quality plastic housing
- Large, easily accessible, watertight electrical box for unobstructed wiring process
- Easily mount on duct pipe or use heavy-duty metal mounting bracket (sold separately)
- Significantly less expensive than comparable alternatives
- Thermal overload protection
- HVI Certified Performance
- cETLus certified

Size	A	B	C	Average Ship Wt. Lbs.
100	4" or "5	10-9/16"	10-3/4"	6.6
150	6"	9-5/8"	12-1/32"	8.2

PRF-100 Dimensions

PRF-150 Dimensions



FAN SPECIFICATIONS									MOTOR SPECIFICATIONS				
Line	Qty.	Model No.	Tag	CFM	SP	Fan RPM	BHP	Sones	HP	Volts	Phase	Hertz	Encl
1													
2													
3													
4													
5													

ACCESSORY ITEMS					ACCESSORY ITEMS						
	1	2	3	4	5		1	2	3	4	5
<input type="checkbox"/>						<input type="checkbox"/>					
<input type="checkbox"/>						<input type="checkbox"/>					
<input type="checkbox"/>						<input type="checkbox"/>					
<input type="checkbox"/>						<input type="checkbox"/>					
<input type="checkbox"/>						<input type="checkbox"/>					