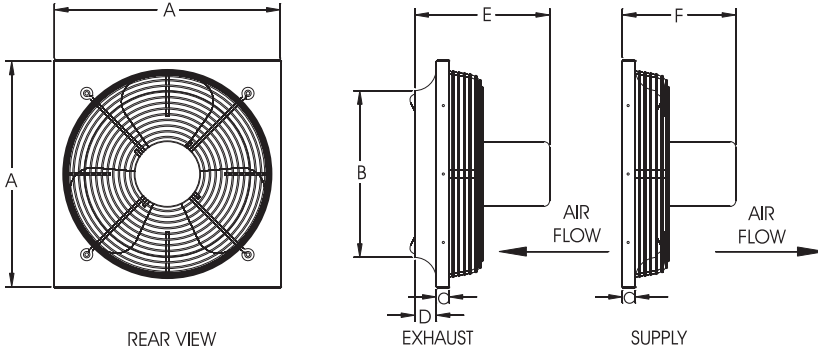




MODEL eGED/eGSD SIDEWALL PROPELLER FANS WITH EC MOTORS

STANDARD CONSTRUCTION FEATURES

- Galvanized steel G90 panel assembly.
- Statically and dynamically balanced aluminum blades.
- Integral OSHA approved motor side guard.
- One piece spun venturi for maximum efficiency.
- Pre-punched mounting holes for easy installation.
- Unit suitable for all-angle construction.
- AMCA Air and Sound Licensed
- cULus Listed - Standard 705
- Speed control & disconnect switch is standard and mounted
- EC Motor



Size	Dimensions (in.)						Avg. Ship Wt. (lbs.)
	A	B	C	D	E*	F*	
12	16	12-1/2	1	2	14	12	30
14	20	14-1/2	1	2	14	12	34
16	20	16-1/2	1	2	14	12	37
18	24	18-1/2	1	2	15	13	45
20	24	20-1/2	1	2	15	13	50



- A. Outside dimension of square panel.
- B. Diameter of venturi.
- C. Width of flange, 1" for all models.
- D. Depth of venturi, 2" for all models.
- E. Depth of fan (exhaust).
- F. Depth of fan (supply).

* Varies with motor selection.

FAN SPECIFICATIONS									MOTOR SPECIFICATIONS				
Line	Qty.	Model No.	Tag	CFM	SP	Fan RPM	BHP	Sones	HP	Volts	Phase	Hertz	Encl
1													
2													
3													
4													
5													

ACCESSORY ITEMS					1	2	3	4	5	ACCESSORY ITEMS					1	2	3	4	5
<input type="checkbox"/>										<input type="checkbox"/>									
<input type="checkbox"/>										<input type="checkbox"/>									
<input type="checkbox"/>										<input type="checkbox"/>									
<input type="checkbox"/>										<input type="checkbox"/>									
<input type="checkbox"/>										<input type="checkbox"/>									

Project: _____ Submitted: _____
 Customer: _____ Approved: _____
 Location: _____