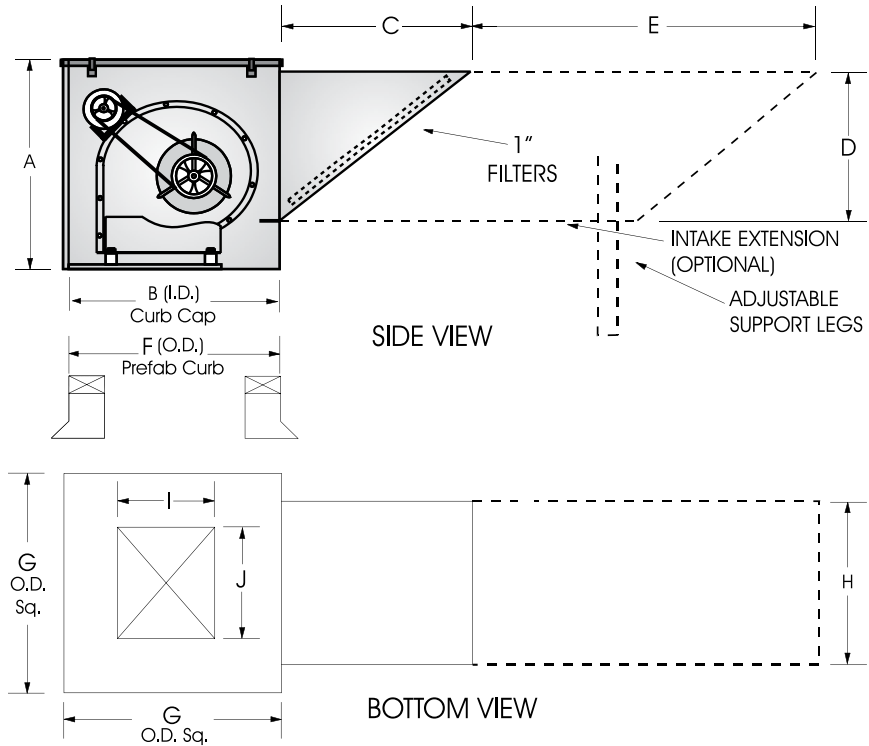




P: 866.733.0233  
www.solerpalaucanada.com



# MODEL KSF KITCHEN SUPPLY FAN



SIZE	A	B SQ.	C	D	E	F	G	H	DAMPER O.D.	I	J	FILTERS (QTY)
9	24 1/4	24 1/2	17 7/8	19	78 3/4	22 3/4	24 1/2	18	19	10-1/2	12	17 1/2 x 23 (1)
10	27 3/8	28 1/2	21 1/8	22 1/2	70 1/2	26 1/2	28 1/4	21 3/4	23	11-5/8	13-1/4	21 1/2 x 28 1/2 (1)
12	32 3/4	32 1/2	26 1/2	27 7/8	51 1/2	30 1/2	32 1/2	27 1/4	27	13-5/8	15-7/8	25 1/2 x 35 1/2 (1)
15	37 3/8	32 1/2	34 1/4	30 3/8	56 1/2	30 1/2	32 1/2	28 3/4	27	16-1/4	18-7/8	21 1/2 x 28 1/2 (2)
18	41 3/8	36 1/2	38 1/4	33 3/8	48-1/2	34-5/8	36-1/2	31	30	19	22-1/4	24 x 30 (2)
20	49-1/2	51 1/2	37 1/2	38 3/4	31	49	51	46-1/8	45	23	25	25 1/2 x 45 1/2 (2)

FAN SPECIFICATIONS									MOTOR SPECIFICATIONS				
Line	Qty.	Model No.	Tag	CFM	SP	Fan RPM	BHP	Sones	HP	Volts	Phase	Hertz	Encl
1													
2													
3													
4													
5													

ACCESSORY ITEMS					ACCESSORY ITEMS						
	1	2	3	4	5		1	2	3	4	5
<input type="checkbox"/>						<input type="checkbox"/>					
<input type="checkbox"/>						<input type="checkbox"/>					
<input type="checkbox"/>						<input type="checkbox"/>					
<input type="checkbox"/>						<input type="checkbox"/>					
<input type="checkbox"/>						<input type="checkbox"/>					

Subject to change unless approved in submittal by S&P.

KSF\_Submittal\_0407

