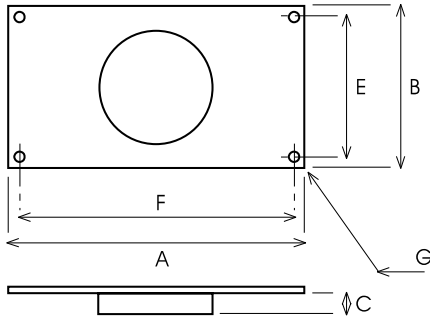




MAR - Rectangular Duct Connector

Fits over the lip of TD and enables TD to be connected to rectangular ducting.

P: 866.733.0233
www.solerpalaucanada.com



Dimensions inches/mm

Model	A	B	C	E	F	G
MAR-100	10 ^{3/8} 264	7 ^{1/16} 180	1 ^{5/16} 33	6 ^{5/16} 160	9 ^{5/8} 244	3/8 9
MAR-125	10 ^{3/8} 264	7 ^{1/16} 180	1 ^{5/16} 33	6 ^{5/16} 160	9 ^{5/8} 244	3/8 9
MAR-150	12 ^{5/8} 320	8 ^{11/16} 220	1 ^{7/16} 37	7 ^{7/8} 200	11 ^{13/16} 300	3/8 9
MAR-200	14 355	9 ^{7/16} 240	1 ^{7/16} 37	8 ^{11/16} 220	13 ^{3/16} 335	3/8 9
MAR-250	17 ^{5/16} 440	11 ^{7/16} 290	1 ^{5/8} 42	10 ^{5/8} 270	16 ^{9/16} 420	3/8 9
MAR-315	21 ^{1/4} 540	14 355	2 ^{1/16} 52	14 355	20 ^{1/2} 520	3/8 9

TD/MCA Cross Reference

Model	Type TD - TDx2 - TDx3 TWIN	Nominal dim. of ducting L x H (in/mm)
MAR-100	100	9 x 6 224 x 140
MAR-125	125	9 x 6 224 x 140
MAR-150	150	11 x 7 280 x 180
MAR-200	200	12 x 8 315 x 200
MAR-250	250	16 x 10 400 x 250
MAR-315	315	20 x 12 500 x 315

ACCESSORY MODEL	1	2	3	4	5	REMARKS

Project: _____	Submitted: _____
Customer: _____	Approved: _____
Location: _____	

For more information contact us at www.solerpalaucanada.com for additional submittal drawings.

S&P will not be responsible for fabrication changes or errors resulting from customer use of a non-current submittal drawing.

