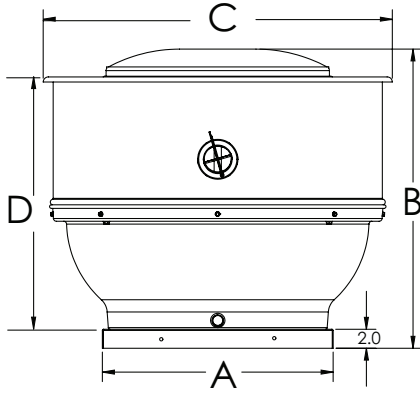




MODEL STXDeRHUL CENTRIFUGAL UPBLAST ROOF FANS FOR RESTAURANT EXHAUST WITH EC MOTORS



STANDARD FEATURES

- Exhaust air up to 4,780 CFM in high static pressure applications up to 1-1/2" w.g.
- Attractive spun aluminum exterior
- Direct drive units have low sound levels and quiet operation
- Curved non-overloading backward inclined wheel for efficiency at higher static pressures
- Roof or sidewall mounting options
- AMCA Air and Sound Licensed
- cULus 762 Listed
- NFPA - suitable for National Fire Protection Association Installations

Size	A	B	C	D	Roof Opening	Curb O.D.	Damper O.D.	Average Ship Wt. Lbs.
10	18 1/9	25 1/3	28 3/5	20 1/3	13 1/2	16 1/2	12	114
12	20 1/9	26 8/9	31 1/3	21 8/9	15 1/2	18 1/2	14	118
14	20 1/9	26 8/9	31 1/3	21 8/9	15 1/2	18 1/2	14	117
15	24 1/9	27 3/5	36 1/2	22 3/5	19 1/2	22 1/2	18	135
16	24 1/9	27 3/5	36 1/2	22 3/5	19 1/2	22 1/2	18	136

FAN SPECIFICATIONS									MOTOR SPECIFICATIONS				
Line	Qty.	Model No.	Tag	CFM	SP	Fan RPM	BHP	Sones	HP	Volts	Phase	Hertz	Encl
1													
2													
3													
4													
5													

ACCESSORY ITEMS	1	2	3	4	5	ACCESSORY ITEMS	1	2	3	4	5
<input type="checkbox"/>						<input type="checkbox"/>					
<input type="checkbox"/>						<input type="checkbox"/>					
<input type="checkbox"/>						<input type="checkbox"/>					
<input type="checkbox"/>						<input type="checkbox"/>					
<input type="checkbox"/>						<input type="checkbox"/>					

Subject to change unless approved in submittal by S&P
STXDeRHUL-Submittal-0817