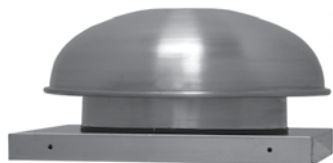




# MODEL LPD

## LOW PROFILE DIRECT DRIVE CENTRIFUGAL ROOF/SIDEWALL EXHAUSTER



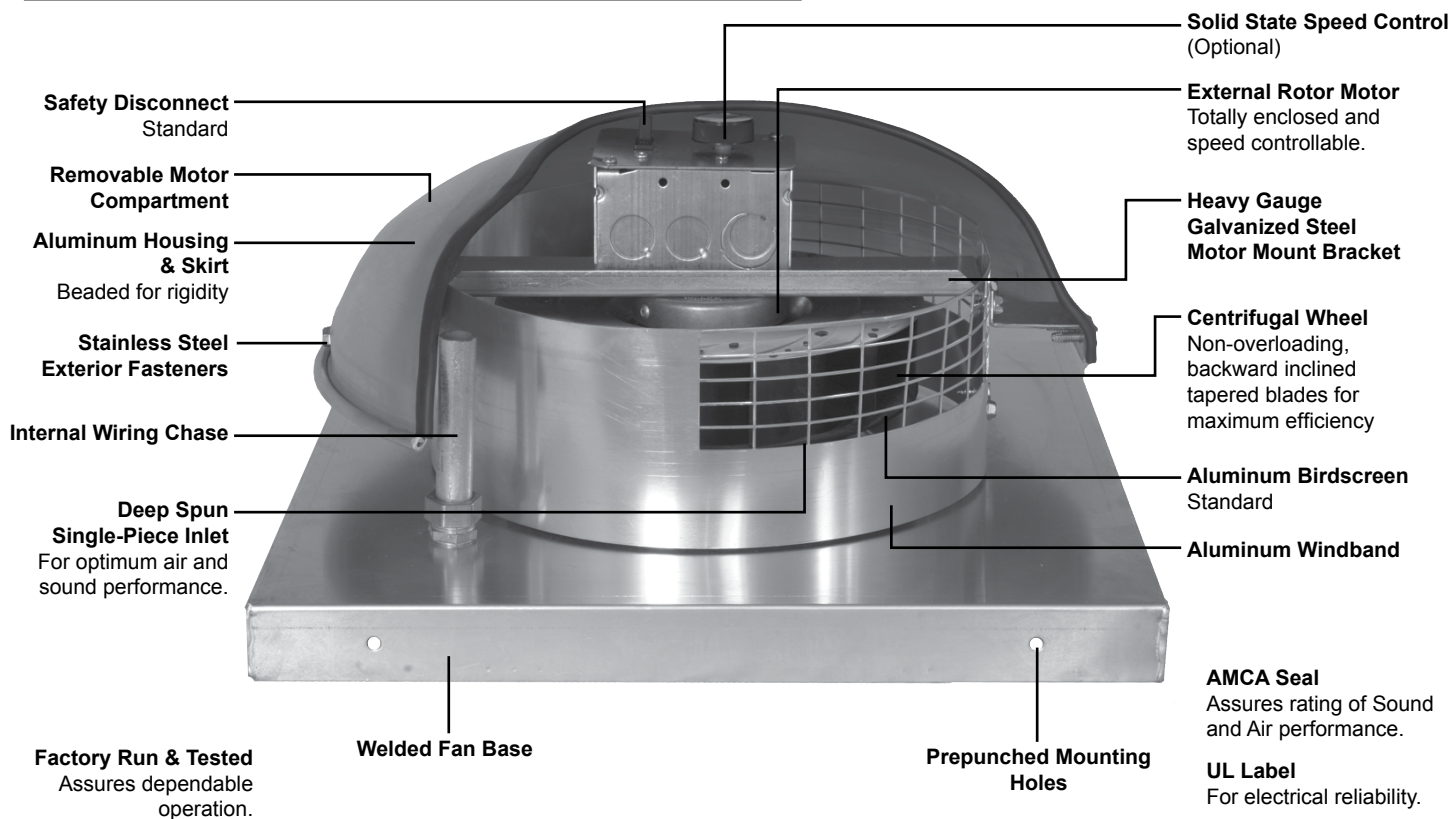
### MODEL FEATURES

- Exhaust air up to 420 CFM in high static pressure applications up to 1-3/4" w.g.
- Low profile attractive spun aluminum exterior
- Direct drive units have low sound levels and quiet operation
- Non-overloading backward inclined wheel for efficiency at higher static pressures
- Roof or sidewall mounting options
- AMCA Air and Sound Licensed
- cULus 705 Listed

### MODEL OVERVIEW

Model LPD direct drive fans are designed to exhaust air in low CFM, up to 420, high static pressure applications to 1-3/4". When aesthetics are a concern the low profile design of the LPD is the perfect choice. The LPD is generally used for bathroom, office, or light commercial ventilation in ducted systems; and can be mounted either on the roof or wall as the application requires.

### CONSTRUCTION FEATURES AND OPTIONS



**Industry best 5 year fan housing warranty, 3 year motor warranty**

All specifications are subject to change without notice unless approved in submittal by Soler & Palau.



## **CONSTRUCTION/SPECIFICATION CHECKLIST**

### **Housing**

- Ultra low profile, aluminum construction.
- Curb cap has integral deep spun inlet for efficient performance and prepunched mounting holes for ease of installation.
- Spun aluminum hood and skirt for weather protection and attractive appearance.
- Up to 140°F airstream temperature.
- Heavy-gauge motor support for rigidity and strength.
- Quick access to motor compartment for ease of maintenance.
- Conduit passage for easy electrical connection from below roof.
- Birdscreen included on standard all models

### **Wheel**

- Backward inclined for efficiency at higher static pressure.
- Non-overloading for safe operation in ducted systems.
- Tapered blades for efficiency and quiet operation.
- Wheels constructed of noncorrosive aluminum.
- Statically and dynamically balanced for smooth operation.

### **Speed Controllable Motors**

- Unique external rotor design.
- Permanently lubricated bearings.
- Internal thermal protection.
- Standard motors are single speed, speed controllable, totally enclosed.
- All motors are rated for continuous duty.
- Disconnect is standard.
- 115V, 230V and 60/50 motor options.

### **Certifications**

- AMCA Air and Sound Licensed.
- cULus 705 Listed Power Roof Ventilator label assures electrical reliability.
- UL label must be specified when needed.



## **OPTIONS/ACCESSORIES**

**Solid State Speed Control:** S&P's solid state control is matched to allow smooth RPM variation and adjustment of airflow for system balancing. CFM is reduced in direct proportion to motor speed reduction. Speed controllers available for 115/1 or 230/1 operation. Exhauster performance can be controlled from the ventilated area.



**Roof Curb:** Prefabricated heavy-gauge galvanized steel, clip lock, 14" high (other heights are also available) with 1-1/2" wood nailer. Assures perfect fit of exhauster to roof opening. Options include burglar bars, single or double pitch construction and hinged curbs for easy duct access. Welded & custom curbs available.

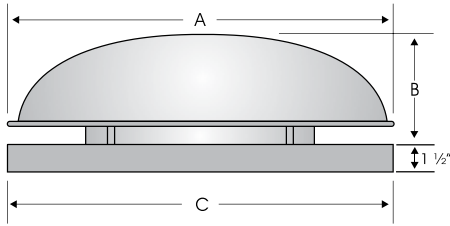
**Motor Operated Damper:** Motor operated aluminum damper for positive closure against backdraft.



**Automatic Damper:** Automatic aluminum damper for ease in installation and effective backdraft protection.

**Curb Hinge Arrangement:** The curb hinge arrangement provides easy access to the exhaust fan, backdraft damper, and duct for servicing and cleaning.

**Special Coatings:** Powered roof exhausters often require special coatings for protective and decorative purposes. Available coatings include: Synthetic Resin, Epoxy, and Heresite (air-dried phenolic). Contact your representative or the factory for more information on available coatings and colors.

**PERFORMANCE/DIMENSIONS**

Size	O.D. Damper	Roof Opening	Curb O.D.	A	B	C	Average Ship Wt. Lbs.
6	11	11-3/4	14-3/4	16-1/2	7	16-1/2	12
8	11	11-3/4	14-3/4	16-1/2	7	16-1/2	15

**60 Hz**

Model LPD	CFM @ Static Pressure											RPM (Nom.)	Max Motor Watts & Amps	Sones @ 1/2"
	0	1/8	1/4	3/8	1/2	5/8	3/4	1	1-1/4	1-1/2	1-3/4			
LPD06A60 115/1/60	302	268	247	222	197	175	155	118	87	52	-	2800	90 / 0.8	7.2
LPD08A60 115/1/60	387	358	331	303	275	245	222	178	138	98	63	2775	115 / 1.0	11.9
LPD06C60 230/1/60	293	263	245	225	204	184	167	128	82	57	-	2900	90 / 0.4	9.1
LPD08C60 230/1/60	423	381	350	316	292	265	238	188	140	97	52	2950	115 / 0.5	14.1

**50 Hz**

Model LPD	CFM @ Static Pressure											RPM (Nom.)	Max Motor Watts & Amps	Sones @ 1/2"
	0	1/8	1/4	3/8	1/2	5/8	3/4	1	1-1/4	1-1/2	1-3/4			
LPD06C50 230/1/50	279	252	232	213	196	172	156	115	67	-	-	2700	65 / 0.3	9.1
LPD08C50 230/1/50	390	345	317	292	263	237	213	161	105	43	-	2725	85 / 0.43	14.1

Performance certified is for installation type A-free inlet, free outlet. Performance ratings include the effects of birdscreen in the airstream. The sound ratings shown are loudness values in fan sones @ 5' (1.5m) in a hemispherical free field calculated per AMCA Standard 301. Values shown are for: Installation Type A: free inlet hemispherical sone levels. Speed (RPM) shown is nominal. Performance is based on actual speed of test.



S&P, Div. of Soler & Palau Ventilation Group, certifies that the Models LPD shown herein are licensed to bear the AMCA Seal. The ratings shown are based on test and procedures performed in accordance with AMCA Publication 211 and AMCA Publication 311 and comply with the requirement of the AMCA Certified Ratings Program.



S&P patented motorized impellers typically exceed manufacturer's RPM ratings as shown in the AMCA certified performance table above. Motor manufacturer's published ratings are:

LPD06A60: 115/1/60/TE, 2600 RPM      LPD08A60: 115/1/60/TE, 3050 RPM  
 LPD06C60: 230/1/60/TE, 2600 RPM      LPD08C60: 230/1/60/TE, 3050 RPM  
 LPD06C50: 230/1/50/TE, 2500 RPM      LPD08C50: 230/1/50/TE, 2700 RPM