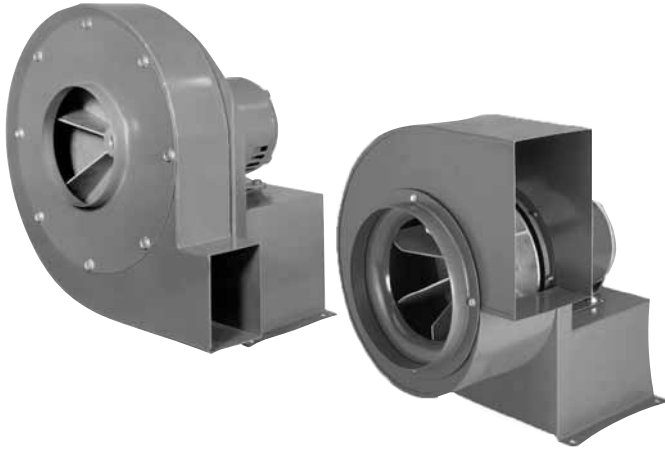


MODELS PW & KE

RADIAL BLADE BLOWER



MODEL FEATURES

- Weather proof drive cover
- Self cleaning wheel
- Motorized dampers
- Vibration pads
- Acid resistant coating

MODEL OVERVIEW

The PW & KE feature a self cleaning wheel. KE may be used on small kitchen hoods. PW & KE are used for exhaust applications where dirt, lint or other foreign material is in the air stream. They are used successfully in a variety of applications including but not limited to dust collection, mining applications, agricultural and industrial drying equipment, commercial laundry drying applications and hazardous fume exhaust. Open proof ball bearing motors in single and three phase voltages are standard. TEFC and explosion proof are also available.

Direct Drive Radial Blade Blower Performance Data

PW Series

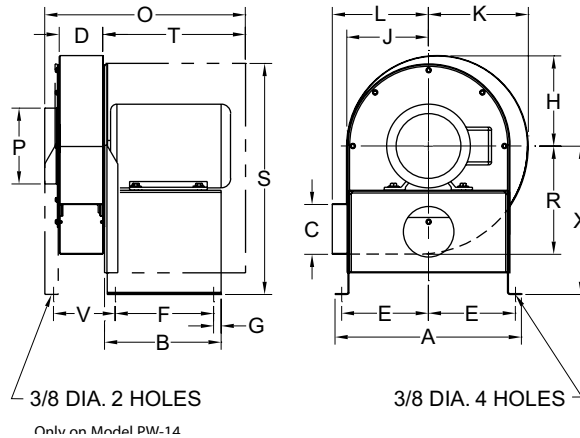
| MODEL NO. | CFM @ STATIC PRESSURE (in w.g.) | | | | | | | | | | | | | | | | MOTOR HP | BLOWER RPM | |
|-----------|---------------------------------|------|------|------|------|------|------|------|------|------|------|------|------|------|------|------|----------|------------|------|
| | 0.25 | 0.5 | 1.0 | 1.5 | 2.0 | 2.5 | 3.0 | 3.5 | 4.0 | 5.0 | 6.0 | 7.0 | 8.0 | 9.0 | 10.0 | 11.0 | | | 12.0 |
| PW-8 | 283 | 274 | 256 | 237 | 216 | 192 | 165 | 129 | 70 | — | — | — | — | — | — | — | — | 1/3 | 3500 |
| PW-9 | 475 | 465 | 445 | 423 | 399 | 374 | 346 | 316 | 282 | 195 | — | — | — | — | — | — | — | 3/4 | 3500 |
| PW-11 | 786 | 772 | 746 | 719 | 692 | 664 | 635 | 606 | 575 | 508 | 431 | 329 | — | — | — | — | — | 1 1/2 | 3500 |
| PW-12 | 1185 | 1171 | 1145 | 1117 | 1090 | 1062 | 1033 | 1004 | 974 | 911 | 842 | 765 | 672 | 549 | — | — | — | 3 | 3500 |
| PW-14 | — | — | — | — | — | — | — | — | — | 1685 | 1587 | 1482 | 1367 | 1236 | 1081 | 874 | 474 | 5 | 3500 |
| PW-14 | 2100 | 2079 | 2037 | 1995 | 1952 | 1909 | 1866 | 1822 | 1777 | 1685 | 1587 | 1482 | 1367 | 1236 | 1081 | 874 | 474 | 7 1/2 | 3500 |

KE Series

| MODEL NO. | CFM @ STATIC PRESSURE (in w.g.) | | | | | | | | | | | | | | MOTOR HP | BLOWER RPM |
|-----------|---------------------------------|-------|------|-------|------|-------|------|------|------|------|------|------|------|---|----------|------------|
| | 0.0 | 0.125 | 0.25 | 0.375 | 0.5 | 0.625 | 0.75 | 1.0 | 1.25 | 1.5 | 1.75 | 2.0 | 2.25 | | | |
| KE-8 | 533 | 493 | 448 | 396 | 334 | 250 | 93 | — | — | — | — | — | — | — | 1/3 | 1725 |
| KE-9 | 909 | 848 | 788 | 724 | 655 | 572 | 462 | — | — | — | — | — | — | — | 1/3 | 1725 |
| KE-11 | 1593 | 1524 | 1457 | 1386 | 1309 | 1225 | 1134 | 916 | 617 | 97 | — | — | — | — | 3/4 | 1725 |
| KE-12 | 2461 | 2400 | 2331 | 2257 | 2179 | 2096 | 2007 | 1807 | 1564 | 1252 | 812 | 166 | — | — | 1 1/2 | 1725 |
| KE-14 | 3393 | 3307 | 3221 | 3134 | 3046 | 2956 | 2863 | 2664 | 2438 | 2164 | 1786 | 1181 | 666 | — | 2 | 1725 |

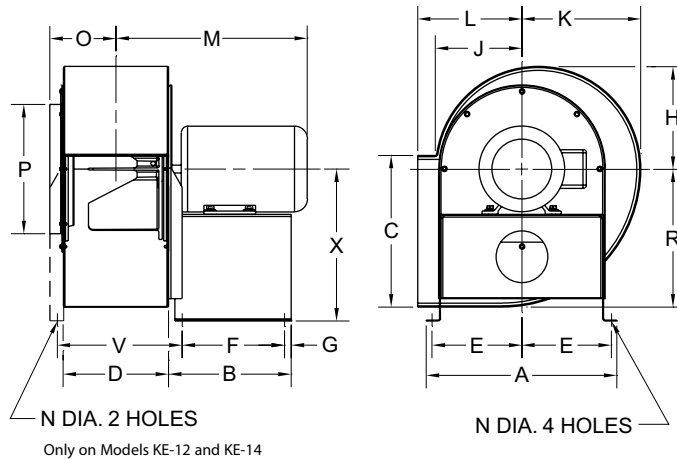
Clockwise rotation, bottom horizontal discharge is standard. Counter clockwise rotation and/or different directions are available upon request.

Radial Blade Blower Dimensions



Pressure Blower Direct Drive Dimensions

| MODEL NO. | WHEEL | BORE | A | B | C | D | E | F | G | H | J | K | L | O | P | R | X | S | T | Y |
|-----------|----------------|-------|--------|--------|-------|-------|-------|--------|-----|--------|-------|--------|-------|--------|---|--------|--------|--------|----|---|
| PW-8 | 7 3/4 X 2 1/4 | 1/2 | 11 | 8 | 3 | 3 | 5 | 7 | 1/2 | 5 3/8 | 4 7/8 | 5 7/8 | 5 7/8 | 16 | 4 | 6 5/8 | 8 1/2 | 13 1/8 | 12 | — |
| PW-9 | 9 X 2 3/4 | 1/2 | 12 1/8 | 8 | 3 1/2 | 3 1/2 | 5 5/8 | 7 | 1/2 | 6 3/8 | 5 3/4 | 6 7/8 | 6 3/4 | 20 3/4 | 5 | 7 1/2 | 9 3/8 | 14 5/8 | 16 | — |
| PW11 | 10 5/8 X 3 | 5/8 | 14 3/4 | 9 | 4 | 3 1/2 | 6 7/8 | 7 1/2 | 3/4 | 7 1/4 | 6 1/2 | 8 | 7 5/8 | 20 3/4 | 6 | 8 5/8 | 11 3/4 | 18 1/4 | 16 | — |
| PW-12 | 12 1/2 X 3 | 7/8 | 17 | 9 | 5 | 4 | 8 | 6 1/2 | 3/4 | 8 1/4 | 7 1/2 | 9 | 9 5/8 | 20 1/8 | 7 | 10 | 10 5/8 | 18 3/8 | 15 | — |
| PW-14 | 13 1/2 X 4 3/8 | 1 1/8 | 17 5/8 | 11 1/4 | 7 1/8 | 5 3/4 | 8 | 9 9/16 | 1 | 10 1/2 | 9 5/8 | 11 3/8 | 11 | 22 | 8 | 11 1/2 | 12 5/8 | 21 1/2 | 15 | 7 |



Radial Blade Blower Direct Drive Dimensions

| MODEL NO. | WHEEL | BORE | A | B | C | D | E | F | G | H | J | K | L | M* | N | O | P | R | V | X |
|-----------|----------------|------|--------|--------|--------|--------|-------|-------|-----|--------|-------|--------|--------|---------|------|--------|--------|--------|--------|--------|
| KE-8 | 7 3/4 X 4 | 1/2 | 11 | 8 | 8 1/4 | 5 3/8 | 5 | 7 | 1/2 | 6 | 4 5/8 | 6 3/4 | 6 7/8 | 10 3/4 | 3/8 | 3 3/4 | 8 | 8 | — | 8 1/2 |
| KE-9 | 9 X 5 | 1/2 | 12 1/8 | 8 | 10 3/4 | 6 1/2 | 5 5/8 | 7 | 1/2 | 6 3/4 | 5 5/8 | 7 3/4 | 7 1/8 | 11 3/4 | 3/8 | 4 5/16 | 9 | 9 1/4 | — | 9 3/8 |
| KE-11 | 10 7/8 X 5 5/8 | 5/8 | 14 3/4 | 9 | 11 3/4 | 8 | 6 7/8 | 7 1/2 | 3/4 | 8 | 6 3/4 | 9 1/8 | 8 1/8 | 13 1/4 | 3/8 | 5 1/16 | 10 | 10 3/4 | — | 11 3/4 |
| KE-12 | 12 1/2 X 7 1/2 | 7/8 | 16 3/8 | 10 1/2 | 13 1/4 | 9 5/8 | 7 3/8 | 8 3/4 | 7/8 | 10 1/8 | 8 1/2 | 11 1/2 | 10 1/2 | 15 3/16 | 9/16 | 6 3/8 | 13 1/4 | 13 1/4 | 11 1/8 | 17 |
| KE-14 | 13 1/2 X 8 1/8 | 7/8 | 17 5/8 | 10 1/2 | 14 5/8 | 10 3/4 | 8 | 8 3/4 | 7/8 | 11 1/8 | 9 3/8 | 12 5/8 | 11 3/8 | 16 3/4 | 9/16 | 7 | 14 1/2 | 14 5/8 | 12 1/4 | 17 |

* "M" varies with motor frame size