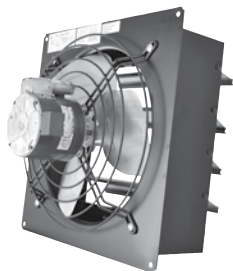




# **MODEL S FAN**

## **WALL EXHAUST SHUTTER FAN**



### **MODEL FEATURES**

- Totally enclosed, ball bearing motor with thermal auto reset
- One piece spun Venturi for maximum efficiency
- Quality engineered and power coated metal wall housing
- Low leakage nylon shutter seals
- Completely assembled & ready to install

---

### **MODEL OVERVIEW**

The S&P Model S wall exhaust shutter fan is available in size 8" to 36". These fans ship completely assembled and ready to install for use in agricultural and commercial applications.

### **CONSTRUCTION/SPECIFICATION CHECKLIST**

#### **Housing and Motor**

- All models include totally enclosed, ball bearing motor with thermal auto reset.
- Power coated metal wall housing
- Efficiently designed and balanced axial blades.
- One piece spun venturi for maximum efficiency
- Extruded aluminum back draft shutters
- Low leakage nylon shutter seals

### **ACCESSORIES**

- Optional OSHA Guards

**1 year fan housing and motor warranty**

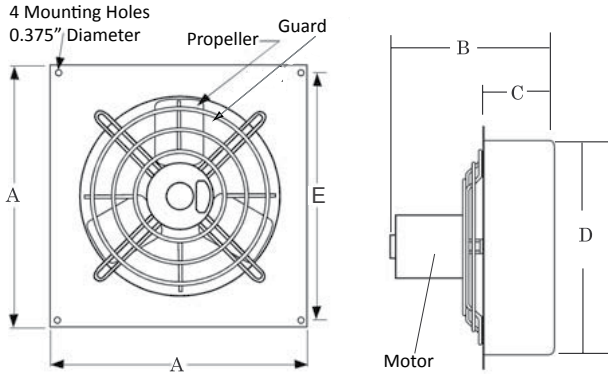


**MODEL S**  
WALL EXHAUST SHUTTER FAN



**PERFORMANCE/DIMENSIONS**

**Dimensions in inches/mm**



Size	A	B	C	D	E
8"	13 <sup>1</sup> / <sub>4</sub> "	10"	4"	10 <sup>3</sup> / <sub>4</sub> "	12
10"	15 <sup>1</sup> / <sub>4</sub> "	10"	4"	12 <sup>3</sup> / <sub>4</sub> "	14
12"	17 <sup>1</sup> / <sub>4</sub> "	14"	6"	14 <sup>3</sup> / <sub>4</sub> "	16
14"	19 <sup>1</sup> / <sub>4</sub> "	14"	6"	16 <sup>3</sup> / <sub>4</sub> "	18
16"	21 <sup>1</sup> / <sub>4</sub> "	14"	6"	18 <sup>3</sup> / <sub>4</sub> "	20
18"	23 <sup>1</sup> / <sub>4</sub> "	15"	6"	20 <sup>3</sup> / <sub>4</sub> "	22
20"	25 <sup>1</sup> / <sub>4</sub> "	16"	6"	22 <sup>3</sup> / <sub>4</sub> "	24
24"	29 <sup>1</sup> / <sub>4</sub> "	16"	6"	26 <sup>3</sup> / <sub>4</sub> "	28
30"	35 <sup>1</sup> / <sub>4</sub> "	19"	6"	32 <sup>3</sup> / <sub>4</sub> "	36
36"	41 <sup>1</sup> / <sub>4</sub> "	16"	6"	38 <sup>3</sup> / <sub>4</sub> "	40

**Performance & Specifications**

Model	Blade Diameter	RPM	HP	VOLTS	Amps	0.0"	0.10"	0.125"	0.25"	Sound dbA	Weight (lbs)
S8-2	8"	1600/1350	0.05	120	.95/.45	400/330	320/260	280/230	180/140	48/43	12.00
S10-2	10"	1600/1350	0.05	120	1.2/0.7	690/580	590/460	570/390	550/340	56/50	13.00
S12-1	12"	1800	0.25	120	3.50	1680	1600	1575	1460	63	28.00
S12-V	12"	1640	0.25	120	2.20	1650	1560	1525	1400	60	32.00
S14-1	14"	1800	0.25	120	3.60	2240	2132	2045	1957	67	30.00
S14-V	14"	1640	0.25	120	2.40	2040	1942	1863	1782	61	35.00
S16-1	16"	1800	0.25	120	3.70	2450	2338	2276	2120	68	33.00
S16-V	16"	1640	0.25	120	2.60	2370	2270	2210	2063	63	36.00
S18-1	18"	1700	0.33	120	4.80	3200	3090	3040	2920	73	37.00
S18-V	18"	1640	0.33	120	3.70	3150	3050	2980	2860	74	45.00
S20-1	20"	1700	0.33	120	4.80	3420	3220	3170	3020	77	41.00
S20-V	20"	1640	0.33	120	3.70	3370	3180	3110	2960	76	47.300
S24-1	24"	1100	0.33	120	4.30	5300	5050	4950	4700	72	53.00
S24-V	24"	1100	0.50	120	4.20	5500	5310	5180	4937	74	62.00
S30-1	30"	1100	0.05	120	4.60	8000	7000	6000	5000	82	72.00
S36-1	36"	850	0.50	120	6.00	12000	11000	10500	9500	72	88.00