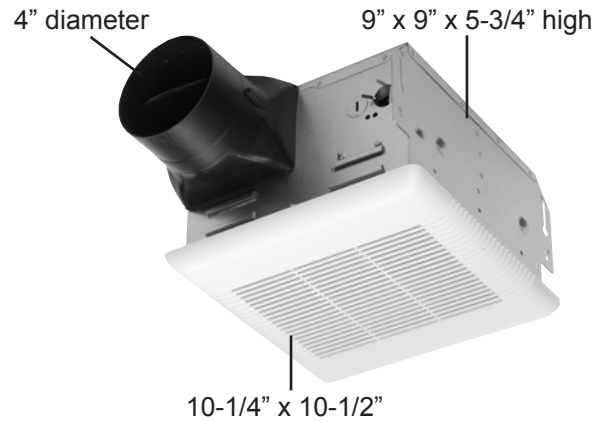




PC50 - Premium Choice

(Ceiling Mounted Ventilation Fans)



Performance

Model	CFM	Static Pressure (in W.G.)	Energy Efficiency (CFM/Watts)	Watts	Power (V/Hz)	Sones	Amps
PC50	50/31	0.1/0.25	3.1	16	120/60	0.3	.13



Dimensions

Model	Duct Dia.	Grille Size (Sq. in inches)	Cabinet Size (in Inches)			Unit Wgt. (lbs)
			W	D	H	
PC50	4"	10-1/4 x 10-1/2	9	9	5-3/4	6

Typical Specifications:

Ventilating fan shall be S&P PC50 mounted in the ceiling. The fan shall have a 5 year limited warranty. The fan shall be HVI Certified at 0.1 inch water gauge for CFM performance above. The motor shall be ETL and cETL Listed with impedance protection plus additional thermal protection.

For more information contact us at www.solerpalaucanada.com or 1.866.733.0233 for additional submittal drawings. S&P will not be responsible for fabrication changes or errors resulting from customer use of a non-current submittal drawing.