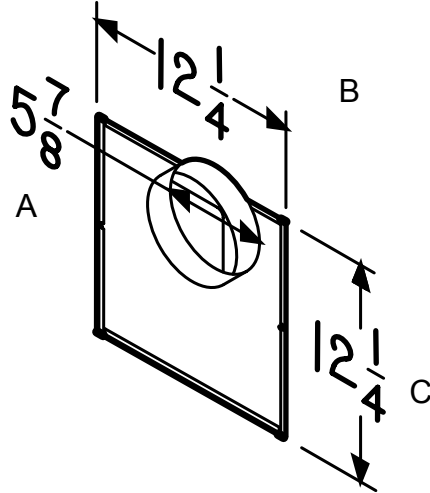




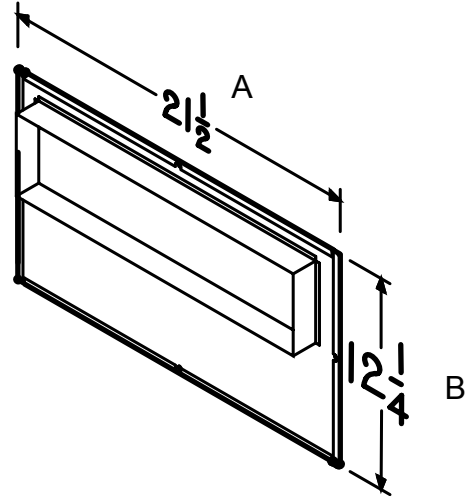
P: 866.733.0233  
www.solerpalaucanada.com

# CEILING VENTILATOR ACCESSORIES

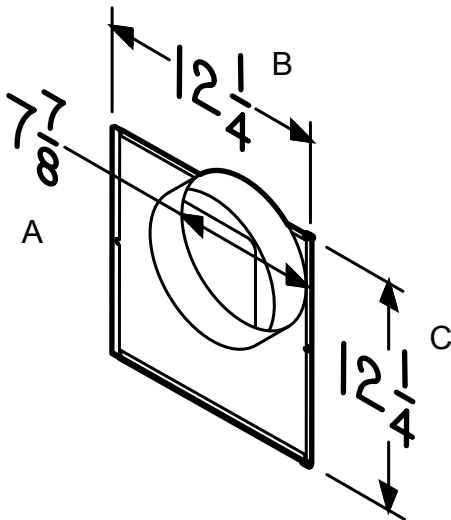
## IN-LINE ADAPTOR KITS FOR FF UNITS



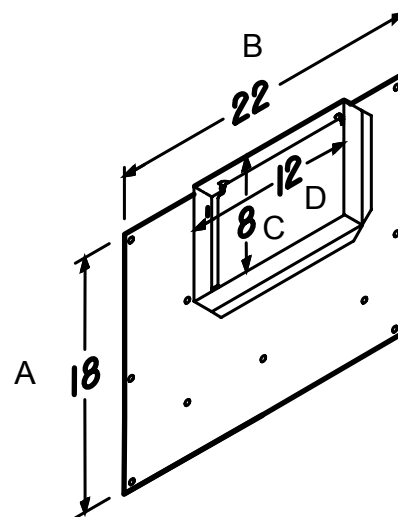
- 961L IN-LINE ADAPTOR KIT**
- Galvanized Steel
  - Fits FF100 & FF150
  - For 6" Round Duct Intake



- 982L IN-LINE ADAPTOR KIT**
- Galvanized Steel
  - Fits FF400, FF500 & FF700
  - 4 1/2" x 18 1/2" Duct Intake



- 981L IN-LINE ADAPTOR KIT**
- Galvanized Steel
  - Fits FF200, FF250 & FF300
  - For 8" Round Duct Intake



- 983L IN-LINE ADAPTOR KIT**
- Galvanized Steel
  - Fits FF900 & FF1500
  - 8" x 12" Duct Intake

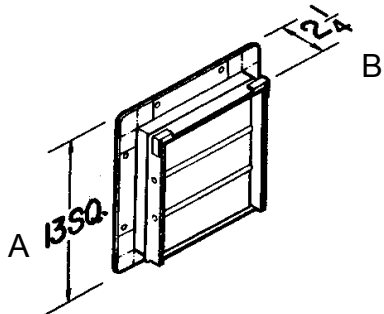
Project: _____	Submitted: _____
Customer: _____	Approved: _____
Location: _____	



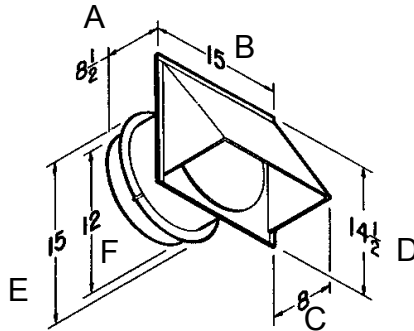
# CEILING & INLINE VENTILATOR ACCESSORIES

P: 866.733.0233  
www.solerpalaucanada.com

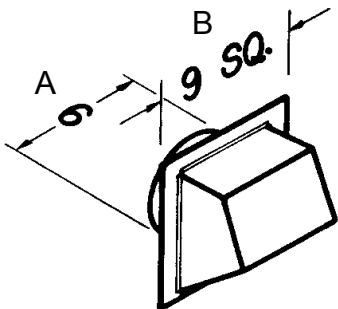
## WALL CAPS FOR FF/FFC UNITS



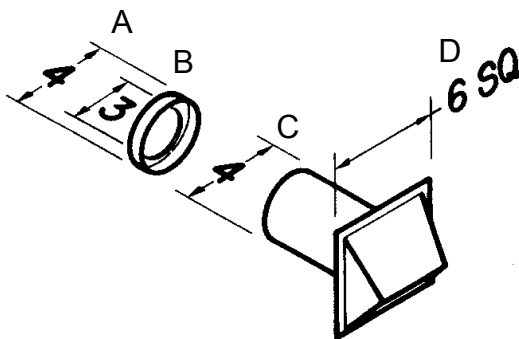
- Model 441**
- Gravity dampers
  - Collar with birdscreen for attaching 10" round duct
  - Steel construction with aluminum louvers



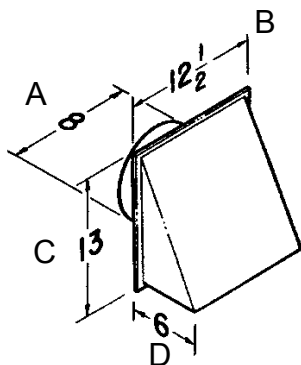
- Model 613**
- High Capacity
  - Built-in backdraft damper & birdscreen
  - Aluminum natural finish
  - For 12" round duct



- Model 641**
- Aluminum natural finish
  - Built-in backdraft damper & birdscreen
  - For 6" round duct



- Model 642**
- Aluminum natural finish
  - Built-in backdraft damper
  - For 3" or 4" round duct (4" to 3" transition included)



- Model 643**
- Aluminum natural finish
  - Built-in backdraft damper
  - For 8" round duct

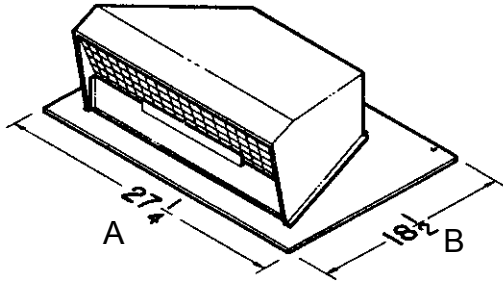
Project: _____	Submitted: _____
Customer: _____	Approved: _____
Location: _____	



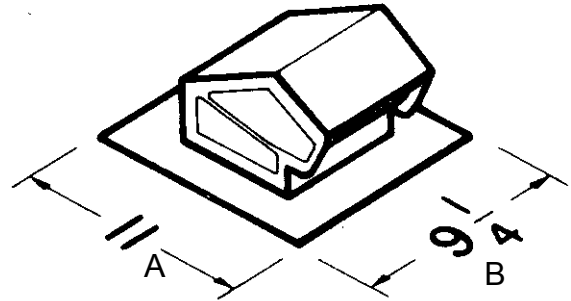
P: 866.733.0233  
www.solerpalaucanada.com

# CEILING AND IN-LINE VENTILATOR ACCESSORIES

## ROOF CAPS FOR FF/FFC UNITS

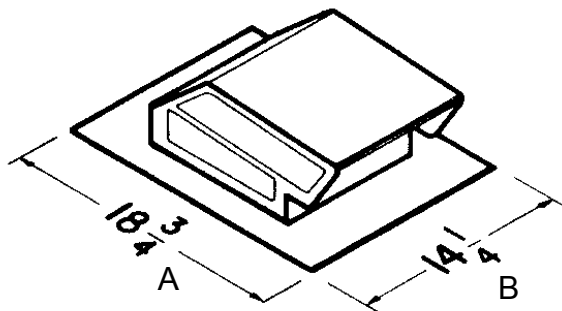


- Model 437**
- High capacity design - up to 1200 CFM
  - Built-in birdscreen
  - Steel, black electrically - bonded epoxy finish



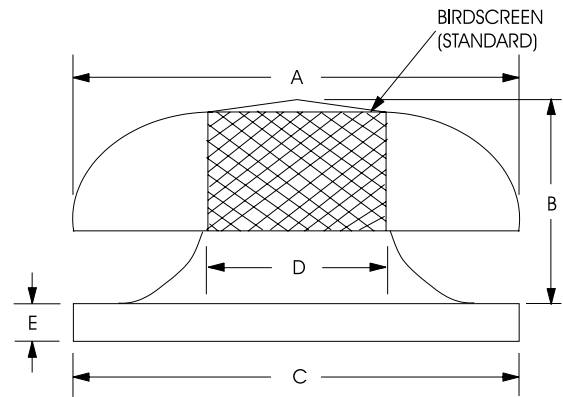
- Model 636**
- Black electrically - bonded epoxy finish
  - Built-in backdraft damper & birdscreen
  - For 3" or 4" round duct

- Model 636AL**
- Same as Model 636 - except Aluminum
  - Natural finish



- Model 634**
- Black electrically - bonded epoxy finish
  - Built-in backdraft damper & birdscreen
  - For 3 1/4" x 10" or up to 8" round duct

- Model 644**
- Same as Model 634 - except Aluminum
  - Natural finish



**Model RCXII - 18" and 20" units**

Size	A	B	C	D	E	Est. Wt.
18	32 3/4	12 1/2	29 1/2	18 5/8	2	35
20	32 3/4	12 1/2	29 1/2	20	2	35

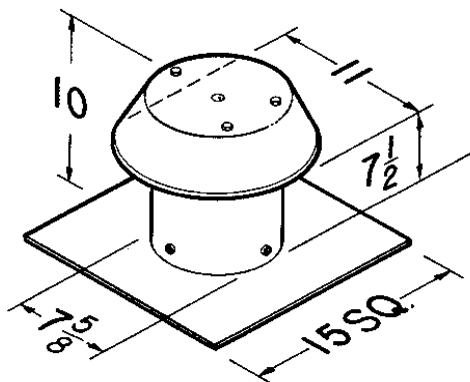
Project: _____	Submitted: _____
Customer: _____	Approved: _____
Location: _____	



P: 866.733.0233  
www.solerpalaucanada.com

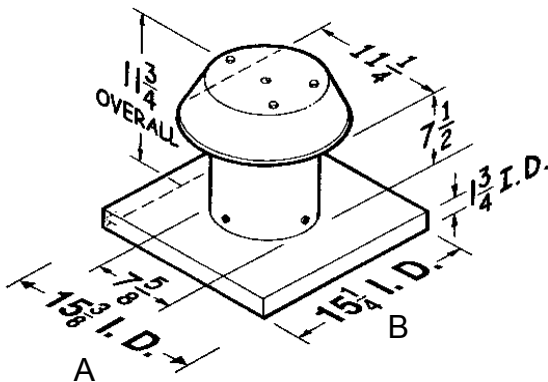
# CEILING AND IN-LINE VENTILATOR ACCESSORIES

## ROOF CAPS FOR FF/FFC UNITS



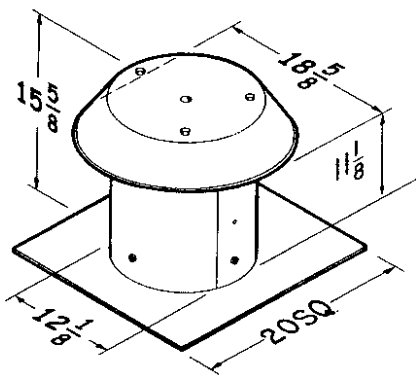
**Model 611**

- For flat roof installation
- Aluminum - natural finish
- Built-in birdscreen
- For up to 8" round duct



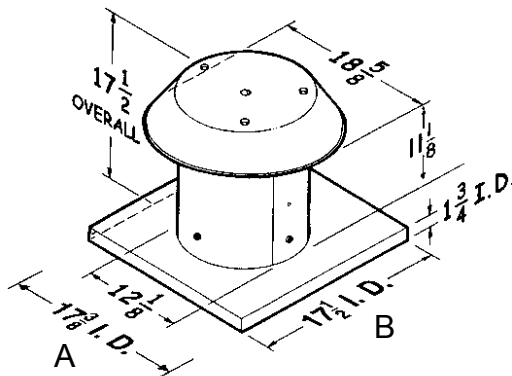
**Model 611CM**

- For curb mount installation
- Aluminum - natural finish
- Built-in birdscreen
- For up to 8" round duct



**Model 612**

- For flat roof installation
- Aluminum - natural finish
- Built-in birdscreen
- For up to 12" round duct



**Model 612CM**

- For curb mount installation
- Aluminum - natural finish
- Built-in birdscreen
- For up to 12" round duct

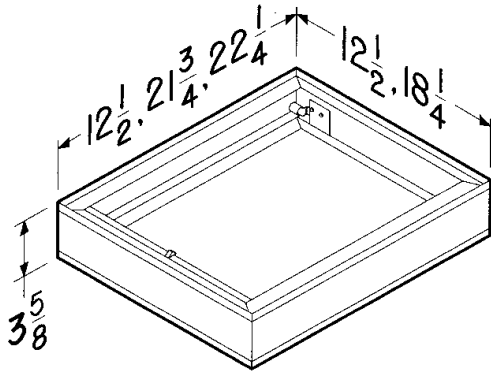
Project: _____	Submitted: _____
Customer: _____	Approved: _____
Location: _____	



# CEILING AND IN-LINE VENTILATOR ACCESSORIES

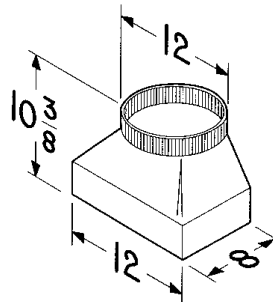
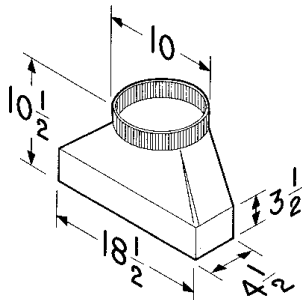
P: 866.733.0233  
www.solerpalaucanada.com

## RADIATION DAMPERS, DUCT TRANSITIONS, METAL GRILLS FOR FF/FFC UNITS



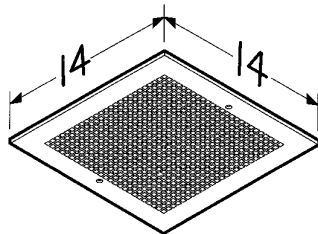
### Models RD1, RD2 & RD3 Radiation Dampers

- UL rated 4-hour ceiling radiation dampers - classified for use in a 4-hour fire-rated ceiling
- Galvanized steel frame
- High temperature, non-asbestos, reinforced fiber thermal fabric
- 165°F fusible link
- Stainless steel negator-type closure spring
- RD1 (12 1/4" x 12 1/4") fits FF100 - FF300
- RD2 (21 1/2" x 18") fits FF400 - FF700
- RD3 (22" x 18") fits FF900 - FF1500



### Models 423 & T81212 Duct Transitions

- Galvanized steel
- Allows for quick transition to easy-to-obtain-and-install round ducting
- 423 (4 1/2" x 18" to 10" round) for use with FF400 thru FF700
- T81212 (8" x 12" to 12" round) for use with FF900 and FF1500



### Model MG 1 Metal Grill Kit

- White enamel painted steel
- Mounting screws included
- Fits FF100, FF150, FF200, FF250 & FF300

Project: _____	Submitted: _____
Customer: _____	Approved: _____
Location: _____	