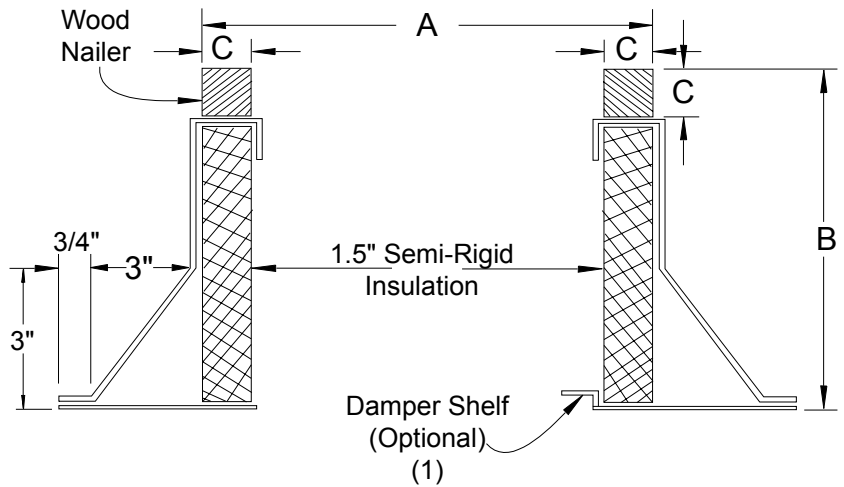




P: 866.733.0233
www.solerpalaucanada.com

INSULATED CANTED ROOF CURB NON-PROPELLER PRODUCTS



OPTIONS:

1. Damper Shelf.
2. Metal Liner - solid or screen type.
3. Burglar bars - 1/2" dia. on 6" centers.
4. Finishes - baked or air-dried enamel or epoxy.
5. Heights: 8, 12, 16, 18, 20, 24" or special heights.
6. Single pitch or double pitch.
7. Aluminum construction.
8. Standard curb is "RF" roof over type.
("SF" available upon request)

| FAN SIZE | "A" OD (Square) CURB | | | | DB | | "B" CURB HEIGHT | "C" WOOD NAILER |
|----------|----------------------|--------|--------|-----------|----------|-------------|-----------------|-----------------|
| | TXB | TXD | RCXII | RED / LPD | FAN SIZE | CURB OD "A" | | |
| 6 | - | 14-3/4 | 14-3/4 | 14-3/4 | 6 | 14-3/4 | 12" STD | 1-1/2" Sq |
| 8 | 14-3/4 | 14-3/4 | 14-3/4 | 14-3/4 | 8 | 14-3/4 | | |
| 10 | 14-3/4 | 14-3/4 | 22-1/4 | 14-3/4 | 9 | 14-3/4 | | |
| 12 | 22-1/4 | 22-1/4 | 22-1/4 | 22-1/4 | 11 | 22-1/4 | | |
| 14 | | | 22-1/4 | | | | | |
| 15 | 22-1/4 | 22-1/4 | - | 22-1/4 | 12 | 22-1/4 | | |
| 16 | | | 22-1/4 | | | | | |
| 18 | 27-3/4 | - | 27-3/4 | - | 14 | 22-1/4 | | |
| 20 | - | - | 27-3/4 | - | 16 | 22-1/4 | | |
| 24 | 33-3/4 | - | 33-3/4 | - | 18 | 27-3/4 | | |
| 26 | - | - | 33-3/4 | - | 20 | 27-3/4 | | |
| 30 | 40-3/4 | - | 40-3/4 | - | 24 | 33-3/4 | | |
| 33 | - | - | 40-3/4 | - | 30 | 40-3/4 | | |
| 36 | 40-3/4 | - | 40-3/4 | - | 36 | 40-3/4 | | |
| 42 | 53-1/4 | - | - | - | 42 | 53-1/4 | | |
| 48 | 53-1/4 | - | - | - | 48 | 53-1/4 | | |

1. Damper shelf opening to be 1" less than damper size. Shelf must be specified if required.
2. All curbs are 18 gauge G-90 galvanized steel with continuous seams.
3. See current curb submittal for all propeller fan roof curbs.

ROOF OPENING
Curb O.D. (A Dimension) Less 3.25 inches

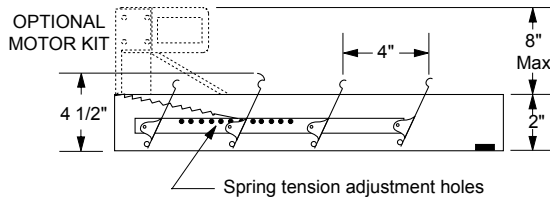
| ACCESSORY ITEMS | 1 | 2 | 3 | 4 | 5 | ACCESSORY ITEMS | 1 | 2 | 3 | 4 | 5 |
|--------------------------|---|---|---|---|---|--------------------------|---|---|---|---|---|
| <input type="checkbox"/> | | | | | | <input type="checkbox"/> | | | | | |
| <input type="checkbox"/> | | | | | | <input type="checkbox"/> | | | | | |
| <input type="checkbox"/> | | | | | | <input type="checkbox"/> | | | | | |
| <input type="checkbox"/> | | | | | | <input type="checkbox"/> | | | | | |

Project: _____ Submitted: _____
 Customer: _____ Approved: _____
 Location: _____



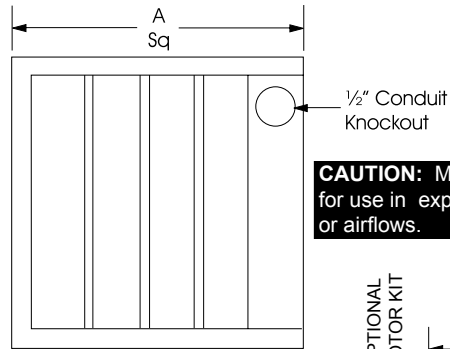
P: 866.733.0233
www.solerpalaucanada.com

BACKDRAFT DAMPER FOR ROOF MOUNTED AND INLINE CENTRIFUGAL/PROPELLER EXHAUST FANS

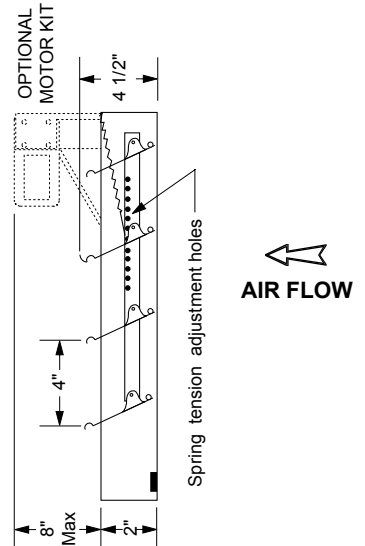


AIR FLOW ↑

For low velocity (CFM) field adjustment of spring tension may be required to ensure that damper blades open completely.



CAUTION: Motor kits are not suitable for use in explosive or flammable areas or airflows.



AIR FLOW ←

| FAN SIZE | CENTRIFUGAL ROOF FANS | INLINE FANS | | PROPELLER |
|----------|------------------------|-------------|------------|------------|
| | DB, RED, TXB, LPD, TXD | SQB | SQD | ARE |
| | "A" SQUARE | "A" SQUARE | "A" SQUARE | "A" SQUARE |
| 6 | 11 | - | 9 | - |
| 7 | - | 12 | - | - |
| 8 | 11 | 12 | 12 | - |
| 9 | 11 | - | - | - |
| 10 | 11 | 14 | 14 | 14 |
| 11/12 | 18 | 18 | 18 | 18 |
| 14 | 18 | - | - | - |
| 15 | 18 | 22 | 20 | - |
| 16 | 18 | - | - | 22 |
| 18 | 24 | 24 | - | - |
| 20 | 24 | 28 | - | 26 |
| 24 | 30 | 35 | - | - |
| 30 | 36 | 40 | - | - |
| 36 | 36 | 48 | - | - |
| 42 | 48 | 54 | - | - |
| 48 | 48 | - | - | - |

STANDARD SPECIFICATIONS:

Maximum Face Velocity: 2250 fpm.
Dimensions: See sizing chart
"A" Dimension is square damper size.
Frame: Galvanized steel, 2" Deep
Blades: 26 gauge Mill Finish aluminum.
Blade pivots: Stainless steel rivet at all pivot points.
Seals: Felt between adjacent blades.
Counter Balance: Adjustable spring tension.
Finish: Mill.
Max Temp: Damper 250° F
Motor 130° F

CAUTION: Motor kits are not suitable for use in explosive or flammable areas or airflows.

NOTES:

- (1) Units are undersized 1/4" to fit in square ducts.
- (2) Do not mount fan less than 1/3 diameter of the fan from the damper.
- (3) Dampers shipped in individual cartons.
- (4) Motor kits ship loose for field installation.

| ACCESSORY ITEMS | 1 | 2 | 3 | 4 | 5 | ACCESSORY ITEMS | 1 | 2 | 3 | 4 | 5 |
|--------------------------|---|---|---|---|---|--------------------------|---|---|---|---|---|
| <input type="checkbox"/> | | | | | | <input type="checkbox"/> | | | | | |
| <input type="checkbox"/> | | | | | | <input type="checkbox"/> | | | | | |
| <input type="checkbox"/> | | | | | | <input type="checkbox"/> | | | | | |
| <input type="checkbox"/> | | | | | | <input type="checkbox"/> | | | | | |

Project: _____ Submitted: _____
Customer: _____ Approved: _____
Location: _____