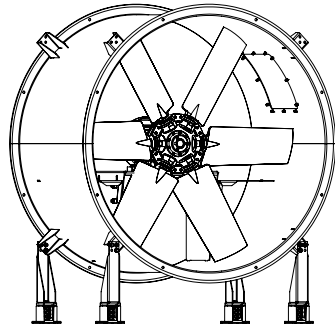




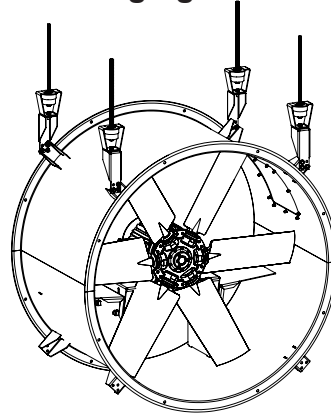
# MODEL TDD DIRECT DRIVE TUBEAXIAL DUCT FANS OPTIONAL MOUNTING ARRANGEMENTS AND ACCESS DOORS

## MOUNTING CONFIGURATIONS

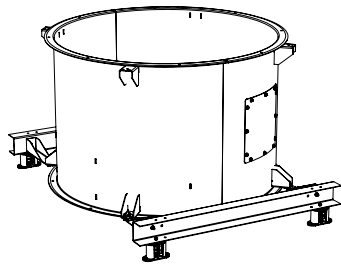
**Floor Mount**



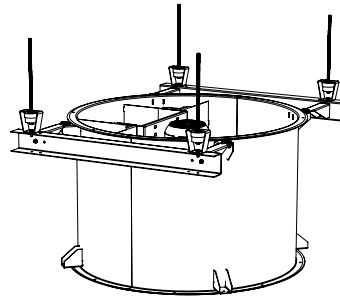
**Hanging Mount**



**Vertical Rail Floor Mount**

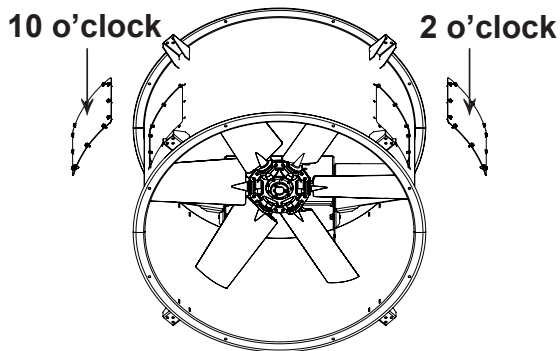


**Vertical Rail Hanging Mount**

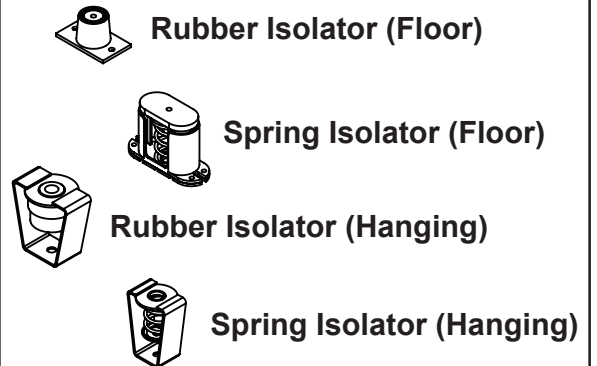


Vertical mounting available on special quote on sizes 34-48".

### Inspection Door Location Options



### Floor or Hanging Isolator Options



**Note:** The 12 & 16 are designed to mount to a supported duct work and do not have all mounting configurations.

Subject to change unless approved in submittal by S&P  
TDD-Arrangements\_Submittal