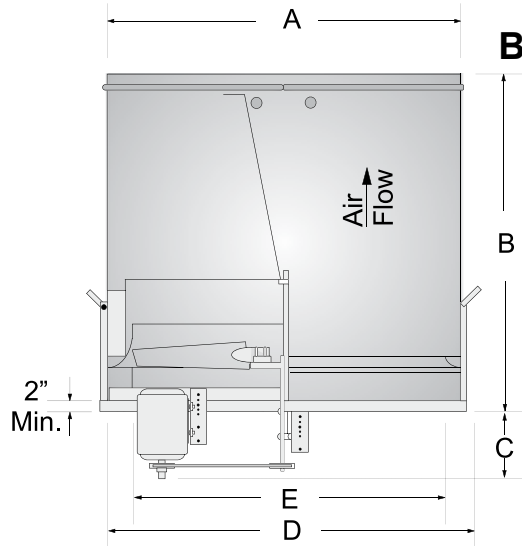




P: 866.733.0233
www.solerpalaucanada.com

MODEL UBB BELT DRIVE UPBLAST PROPELLER POWER ROOF VENTILATOR



Model UBB	A O.D. Windband	B (6) Height	C (5, 6) (Max.)	D I.D. Curb Cap	E Min. I.D. Opening	Std. Prefab Curb O.D.	Metal Guages (1)			Avg. Wt.
							Windband	Curb Cap	Fan Panel	
24	30	33	16	32 x 32	24 x 24	31 x 31	18	16	16	310
30	36	36	17	38 x 38	30 x 30	37 x 37	18	16	16	340
36	42	38	17	44 x 44	36 x 36	43 x 43	18	16	16	430
42	48	41	18	50 x 50	42 x 42	49 x 49	18	16	16	490
48	54	44	22	56 x 56	48 x 48	55 x 55	18	14	16	640
54	60	47	22	62 x 62	54 x 54	61 x 61	18	14	14	840
60	66	50	22	68 x 68	60 x 60	67 x 67	18	14	14	1000
72	80	56	31	82 x 82	72 x 72	81 x 81	18	12	12	1550

- (1) All materials are G90 galvanized steel.
- (2) Translucent fiberglass damper doors are standard on 48", 54", 60" and 72". (Available as an accessory on all other sizes.)
- (3) Propellers are available in 2, 3, 4 & 6 bladed, adjustable-pitch airfoil aluminum. (Fixed pitch, carbon steel or aluminum are also available.)
- (4) AMCA certified performance data is shown in bulletin UB0107
- (5) Curb caps are modified so that motors do not extend below top of curb.

FAN SPECIFICATIONS									MOTOR SPECIFICATIONS				
Line	Qty.	Model No.	Tag	CFM	SP	Fan RPM	BHP	Sones	HP	Volts	Phase	Hertz	Encl
1													
2													
3													
4													
5													

ACCESSORY ITEMS					1	2	3	4	5	ACCESSORY ITEMS					1	2	3	4	5
<input type="checkbox"/>										<input type="checkbox"/>									
<input type="checkbox"/>										<input type="checkbox"/>									
<input type="checkbox"/>										<input type="checkbox"/>									
<input type="checkbox"/>										<input type="checkbox"/>									
<input type="checkbox"/>										<input type="checkbox"/>									

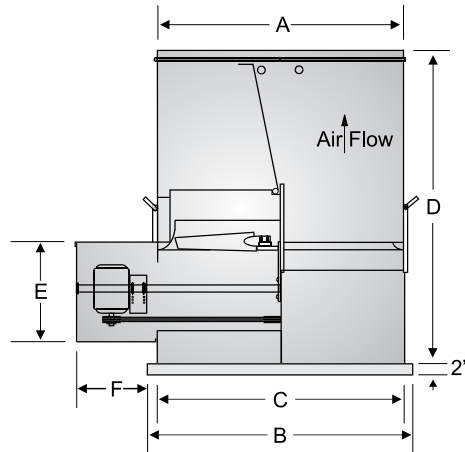
Project: _____ Submitted: _____
 Customer: _____ Approved: _____
 Location: _____



P: 866.733.0233
www.solerpalaucanada.com



MODEL UBRD UPBLAST BELT DRIVEN REMOTE DRIVE PROPELLER ROOF VENTILATOR



STANDARD FEATURES

- Remote motor location for roof top serviceability.
- All galvanized, heavy-gauge steel construction.
- Aluminum airfoil propeller.
- 200,000 hour bearing life, L50.
- All welded, one piece spun venturi.
- Integral lifting lugs.
- Welded curb cap.
- Adjustable motor base.
- Variable pitch drive through 3HP.

Model UBRD	A O.D. Windband	B I.D. Curb Cap	C Sq. I.D. Stack	D Height	E & F Motor Cover	Prefab Curb O.D.	Metal Gauges (1)			Avg. Wt.
							Windband	Curb Cap	Fan Panel	
24	30	32 x 32	30	50	22 x 16	31 x 31	18	16	16	310
30	36	38 x 38	36	54	22 x 16	37 x 37	18	16	16	340
36	42	44 x 44	42	56	22 x 16	43 x 43	18	16	16	430
42	48	50 x 50	48	59	22 x 16	49 x 49	18	16	16	490
48	54	56 x 56	54	68	22 x 22	55 x 55	18	14	16	640
54	60	62 x 62	60	70	22 x 22	61 x 61	18	14	14	840
60	66	68 x 68	66	74	22 x 22	67 x 67	18	14	14	1000
72	80	82 x 82	80	86	22 x 22	81 x 81	16	12	12	1550

- (1) All materials are G90 galvanized steel.
 (2) Translucent fiberglass damper doors are standard on 48", 54", 60" and 72". (Available as an accessory on all other sizes.)
 (3) Propellers are available in 3, 4 & 6 bladed, adjustable-pitch airfoil aluminum. (Fixed pitch, carbon steel or aluminum are also available.)
 (4) Performance data is based on tests made in accordance with AMCA standards.

FAN SPECIFICATIONS									MOTOR SPECIFICATIONS				
Line	Qty.	Model No.	Tag	CFM	SP	Fan RPM	BHP	Sones	HP	Volts	Phase	Hertz	Encl
1													
2													
3													
4													
5													

ACCESSORY ITEMS	1	2	3	4	5	ACCESSORY ITEMS	1	2	3	4	5
<input type="checkbox"/>						<input type="checkbox"/>					
<input type="checkbox"/>						<input type="checkbox"/>					
<input type="checkbox"/>						<input type="checkbox"/>					
<input type="checkbox"/>						<input type="checkbox"/>					
<input type="checkbox"/>						<input type="checkbox"/>					

Project: _____ Submitted: _____
 Customer: _____ Approved: _____
 Location: _____