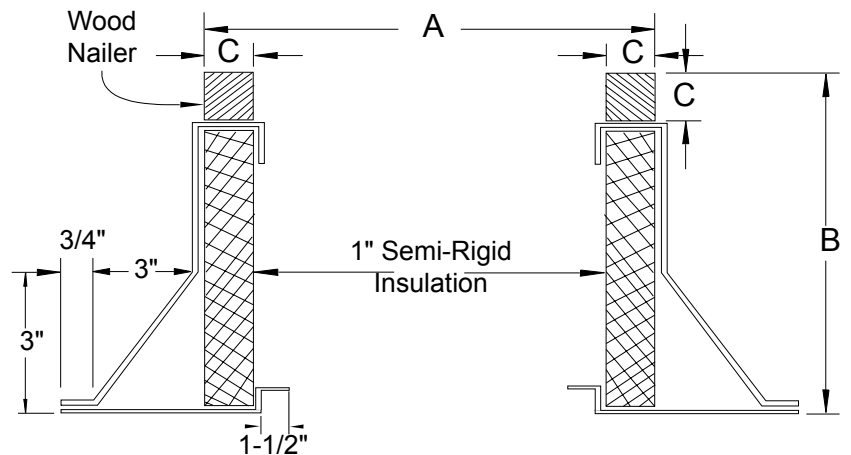




P: 866.733.0233
www.solerpalaucanada.com

INSULATED CANTED ROOF CURB



OPTIONS:

1. Insulation retainers - solid or screen type.
2. Burglar bars - 1/2" dia. on 6" centers.
3. Finishes - baked or air-dried enamel or epoxy.
4. Heights: 8, 12, or 16".
5. Single pitch, double pitch or flat style.
6. Damper Tray.

FAN SIZE	"A" OD (Square) CURB / RF TYPE								"B" CURB HEIGHT	"C" WOOD NAILER	GAUGES	WT.
	CENT. SUPPLY (KSF)	CENT. SUPPLY (CSF, LSF)	CENT. SUPPLY (SRT)	UP-BLAST ROOF (UBB, UBS, UBX, UBRD)	UPBLAST ROOF (UBSRD, UBSRD-HT, UBSRD-HT1)	UP-BLAST ROOF (TUB, TUB-HT)	HOODED ROOF (HREB-C, HRSB, HRED-C, HRSD, HRSBF, HRSDf)	PROPELLER ROOF (ARE/ARS)				
9	22-1/4	22-3/4	-	-	-	-	-	-	12" STD	1-1/2" Sq	18	34
10	26-1/2	26-1/2	14-3/4	-	-	-	-	18-1/2				36
12	30-1/2	26-1/2	-	-	-	-	-	22-1/2				36
15	30-1/2	30-1/2	-	-	-	-	-	-				36
16	-	-	-	-	-	-	-	26-1/2				36
18	34-5/8	34-5/8	-	-	-	-	-	-				40
20	49	49	-	-	-	-	-	30-1/2				58
24	-	-	-	31	28-1/2	33-1/4	33-1/4	-				39
30	-	-	-	37	34-1/2	39-1/4	39-1/4	-				46
36	-	-	-	43	40-1/2	45-1/4	45-1/4	-				54
42	-	-	-	49	46-1/2	51-1/4	51-1/4	-				61
48	-	-	-	55	52-1/2	57-1/4	57-1/4	-				68
54	-	-	-	61	58-1/2	63-1/4	63-1/4	-				75
60	-	-	-	67	64-1/2	69-1/4	69-1/4	-	82			

1. Standard construction is shown. If special construction is required, note changes below and highlight.
2. G-90 galvanized welded steel construction.

ACCESSORY ITEMS	1	2	3	4	5	ACCESSORY ITEMS	1	2	3	4	5
<input type="checkbox"/>						<input type="checkbox"/>					
<input type="checkbox"/>						<input type="checkbox"/>					
<input type="checkbox"/>						<input type="checkbox"/>					
<input type="checkbox"/>						<input type="checkbox"/>					

Project: _____ Submitted: _____
 Customer: _____ Approved: _____
 Location: _____

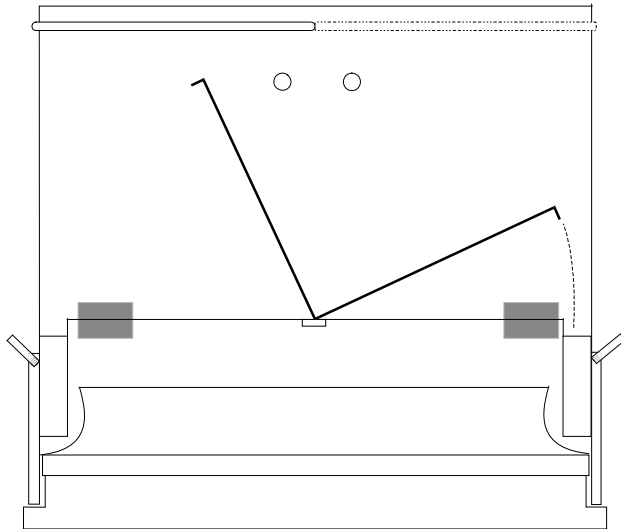



P: 866.733.0233
www.solerpalaucanada.com

MAGNETIC DAMPER LATCH INSTALLATION INSTRUCTIONS

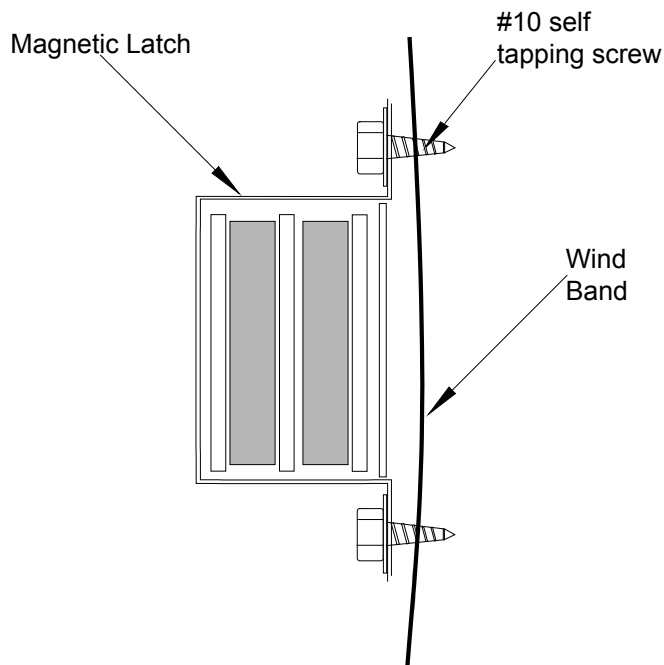
PARTS REQUIRED

- 2 - Magnetic Latches
- 2 - 2" x 4" Strike Plates
- 16 - #10 Self Tapping Screws

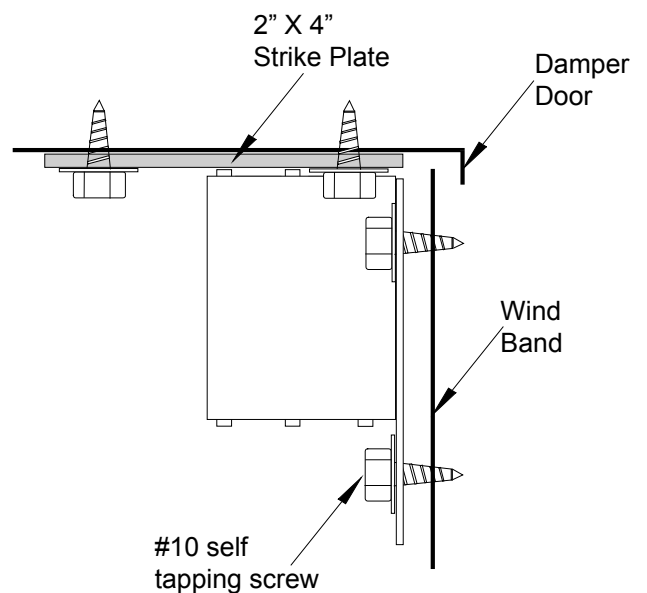


1.  Locate latches as shown.
2. Attach magnet to wind band with 4 #10 self tapping screws.
3. Attach 2" X 4" latch plate to bottom of damper doors (required on fiberglass doors) with 4 #10 self tapping screws, making sure it makes contact with magnets on latch.
4. Make sure latch is level and true with damper for good holding power - select smooth & level damper area for installation.
5. Caulk around all screws on damper doors to eliminate leakage.

CHECK OPERATION MANUALLY



TOP VIEW



SIDE VIEW