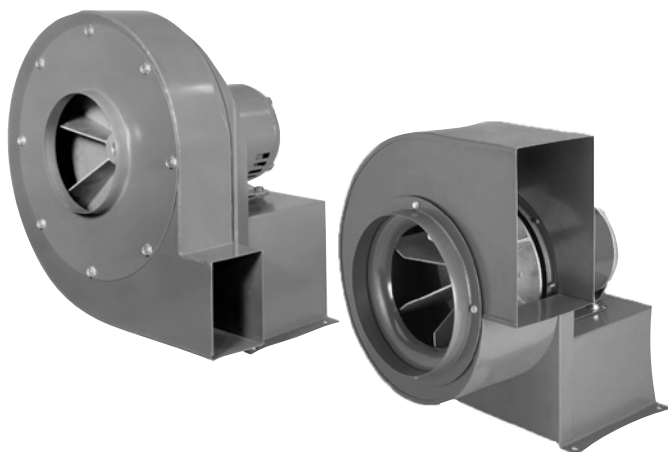


MODELS PW & KE

RADIAL BLADE BLOWER



MODEL FEATURES

- Weather proof drive cover
- Self cleaning wheel
- Motorized dampers
- Vibration pads
- Acid resistant coating

MODEL OVERVIEW

The PW & KE feature a self cleaning wheel. KE may be used on small kitchen hoods. PW & KE are used for exhaust applications where dirt, lint or other foreign material is in the air stream. They are used successfully in a variety of applications including but not limited to dust collection, mining applications, agricultural and industrial drying equipment, commercial laundry drying applications and hazardous fume exhaust. Open proof ball bearing motors in single and three phase voltages are standard. TEFC and explosion proof are also available.

Direct Drive Radial Blade Blower Performance Data

PW Series

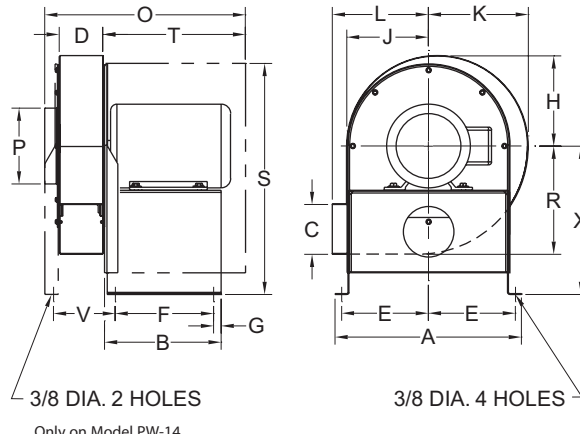
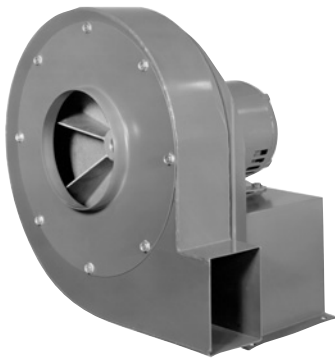
MODEL NO.	CFM @ STATIC PRESSURE (in w.g.)																MOTOR HP	BLOWER RPM	
	0.25	0.5	1.0	1.5	2.0	2.5	3.0	3.5	4.0	5.0	6.0	7.0	8.0	9.0	10.0	11.0			12.0
PW-8	283	274	256	237	216	192	165	129	70	—	—	—	—	—	—	—	—	1/3	3500
PW-9	475	465	445	423	399	374	346	316	282	195	—	—	—	—	—	—	—	3/4	3500
PW11	786	772	746	719	692	664	635	606	575	508	431	329	—	—	—	—	—	1 1/2	3500
PW-12	1185	1171	1145	1117	1090	1062	1033	1004	974	911	842	765	672	549	—	—	—	3	3500
PW-14	—	—	—	—	—	—	—	—	—	1685	1587	1482	1367	1236	1081	874	474	5	3500
PW-14	2100	2079	2037	1995	1952	1909	1866	1822	1777	1685	1587	1482	1367	1236	1081	874	474	7 1/2	3500

KE Series

MODEL NO.	CFM @ STATIC PRESSURE (in w.g.)														MOTOR HP	BLOWER RPM
	0.0	0.125	0.25	0.375	0.5	0.625	0.75	1.0	1.25	1.5	1.75	2.0	2.25			
KE-8	533	493	448	396	334	250	93	—	—	—	—	—	—	—	1/3	1725
KE-9	909	848	788	724	655	572	462	—	—	—	—	—	—	—	1/3	1725
KE-11	1593	1524	1457	1386	1309	1225	1134	916	617	97	—	—	—	—	3/4	1725
KE-12	2461	2400	2331	2257	2179	2096	2007	1807	1564	1252	812	166	—	—	1 1/2	1725
KE-14	3393	3307	3221	3134	3046	2956	2863	2664	2438	2164	1786	1181	666	—	2	1725

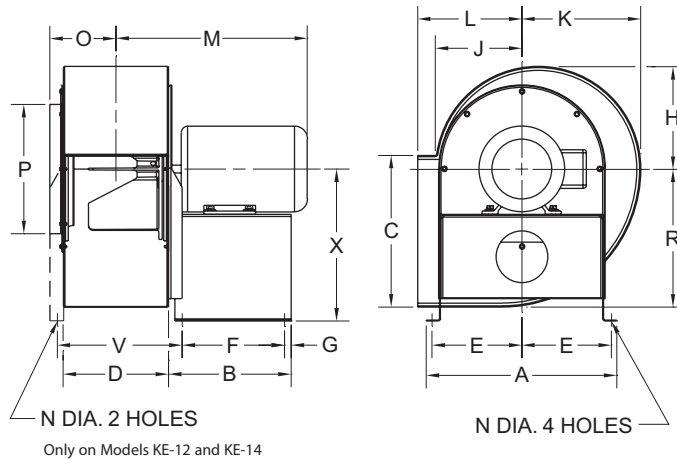
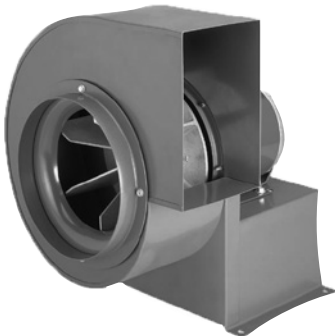
Clockwise rotation, bottom horizontal discharge is standard. Counter clockwise rotation and/or different directions are available upon request.

Radial Blade Blower Dimensions



Pressure Blower Direct Drive Dimensions

MODEL NO.	WHEEL	BORE	A	B	C	D	E	F	G	H	J	K	L	O	P	R	X	S	T	Y
PW-8	7 3/4 X 2 1/4	1/2	11	8	3	3	5	7	1/2	5 3/8	4 7/8	5 7/8	5 7/8	16	4	6 5/8	8 1/2	13 1/8	12	—
PW-9	9 X 2 3/4	1/2	12 1/8	8	3 1/2	3 1/2	5 5/8	7	1/2	6 3/8	5 3/4	6 7/8	6 3/4	20 3/4	5	7 1/2	9 3/8	14 5/8	16	—
PW11	10 5/8 X 3	5/8	14 3/4	9	4	3 1/2	6 7/8	7 1/2	3/4	7 1/4	6 1/2	8	7 5/8	20 3/4	6	8 5/8	11 3/4	18 1/4	16	—
PW-12	12 1/2 X 3	7/8	17	9	5	4	8	6 1/2	3/4	8 1/4	7 1/2	9	9 5/8	20 1/8	7	10	10 5/8	18 3/8	15	—
PW-14	13 1/2 X 4 3/8	1 1/8	17 5/8	11 1/4	7 1/8	5 3/4	8	9 9/16	1	10 1/2	9 5/8	11 3/8	11	22	8	11 1/2	12 5/8	21 1/2	15	7



Radial Blade Blower Direct Drive Dimensions

MODEL NO.	WHEEL	BORE	A	B	C	D	E	F	G	H	J	K	L	M*	N	O	P	R	V	X
KE-8	7 3/4 X 4	1/2	11	8	8 1/4	5 3/8	5	7	1/2	6	4 5/8	6 3/4	6 7/8	10 3/4	3/8	3 3/4	8	8	—	8 1/2
KE-9	9 X 5	1/2	12 1/8	8	10 3/4	6 1/2	5 5/8	7	1/2	6 3/4	5 5/8	7 3/4	7 1/8	11 3/4	3/8	4 5/16	9	9 1/4	—	9 3/8
KE-11	10 7/8 X 5 5/8	5/8	14 3/4	9	11 3/4	8	6 7/8	7 1/2	3/4	8	6 3/4	9 1/8	8 1/8	13 1/4	3/8	5 1/16	10	10 3/4	—	11 3/4
KE-12	12 1/2 X 7 1/2	7/8	16 3/8	10 1/2	13 1/4	9 5/8	7 3/8	8 3/4	7/8	10 1/8	8 1/2	11 1/2	10 1/2	15 3/16	9/16	6 3/8	13 1/4	13 1/4	11 1/8	17
KE-14	13 1/2 X 8 1/8	7/8	17 5/8	10 1/2	14 5/8	10 3/4	8	8 3/4	7/8	11 1/8	9 3/8	12 5/8	11 3/8	16 3/4	9/16	7	14 1/2	14 5/8	12 1/4	17

* "M" varies with motor frame size