

BELT DRIVE FORWARD CURVED ROOF FAN



MODEL FEATURES

- Rated up to 7,750 CFM in static pressure applications up to 2-1/2" w.g.
- 6 sizes ranging from 7 to 18
- Single DWDI forward curved blower assembly with the motor located in the air stream
- Belt drives permit easy performance adjustments when needed
- Can be used in both horizontal & vertical air flow positions
- Removable top panel easy access for service
- AMCA Air & Sound Certified

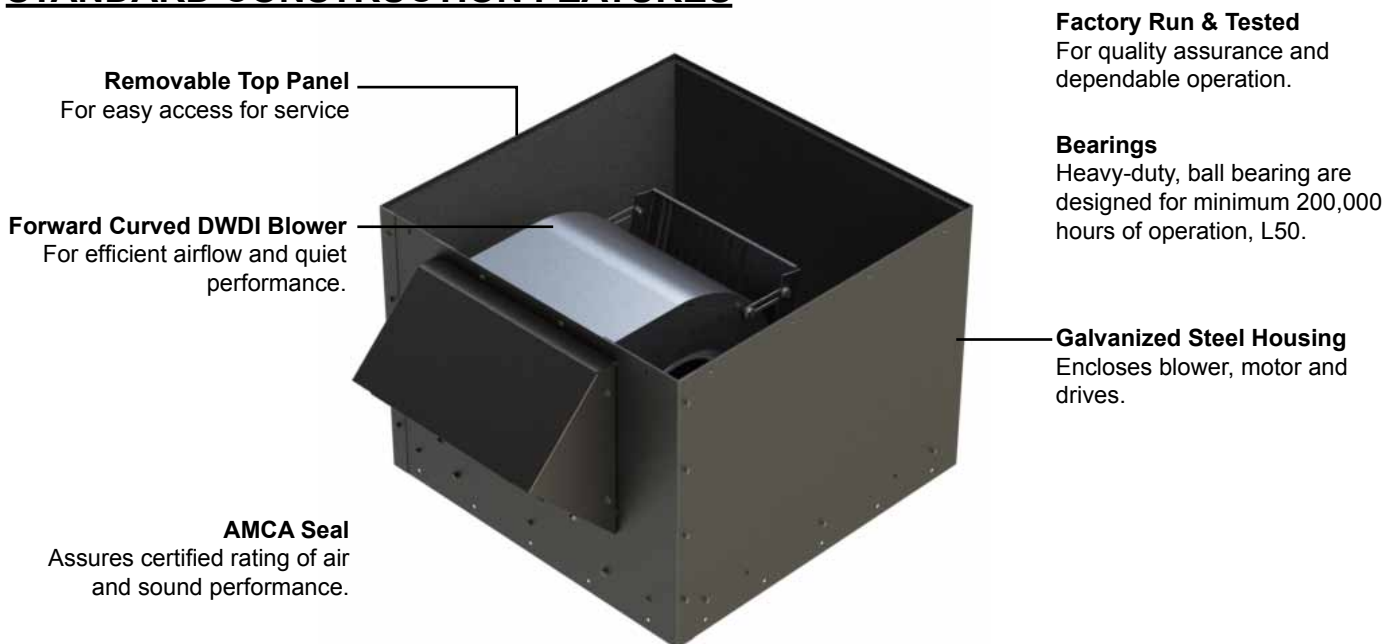
MODEL OVERVIEW

S&P's Forward Curved Belt Driven Roof Fans are designed to exhaust air up to 7,750 CFM in high static pressure applications up to 2-1/2". The galvanized steel exterior provides an attractive appearance. Belt drive results in lower operating RPM and sound levels, making the Model RFC well suited to applications where quiet operation is important. Belt drive also permits easy performance adjustments when needed to balance the total ventilation system.

The RFC was designed with several features to make life easier for the user. These features include: removable top panel, adjustable motor pulleys for easy field adjusting, and tight seals. A wide range of accessories and motors are available to meet special applications.

RFCs are primarily used for the exhaust of relatively clean air from a wide range of commercial, industrial and institutional environments such as schools, hospitals, and high-rise buildings/ apartments and many others.

STANDARD CONSTRUCTION FEATURES



2 year fan housing warranty, 1 year motor warranty

All specifications are subject to change without notice unless approved in submittal by Soler & Palau.

CONSTRUCTION/SPECIFICATION CHECKLIST

Fan Housing

- Statically and dynamically balanced forward curved wheel
- 12-gauge galvanized steel blower plate/discharge opening
- 18-gauge galvanized steel housing
- Prepunched mounting holes
- Conduit opening for wiring from below unit
- ½" fiberglass insulation standard
- Built-in birdscreen standard
- Built-in backdraft damper standard

Drives

- Adjustable motor pulleys are standard
- Sized for minimum 150% of drive horsepower
- Machined cast iron adjustable motor pulleys
- Pivoting motor plate for belt tensioning
- Nonstatic oil resistant V-belts

Bearings

- Heavy-duty bearings are designed for minimum 200,000 hour life, L50
- Bearings are sealed and prelubricated

Motors

- 1 year warranty.
- Brands are nationally recognized and locally serviced
- Single speed open drip-proof are standard
- Totally enclosed and two-speed motors are available
- All motors are rated for continuous duty
- 182T and larger motors shipped unmounted for field installation

Certifications

- AMCA Seal for Air & Sound

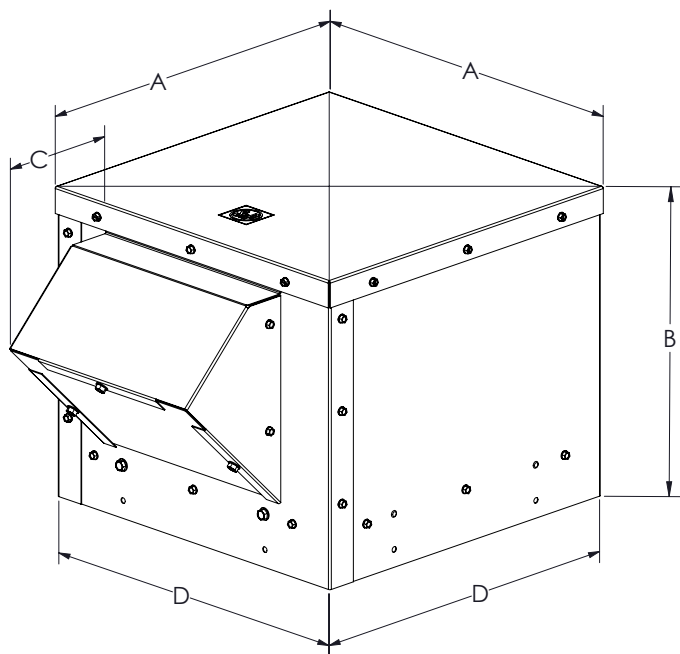
Entire Fan Unit

- Factory assembled and tested prior to shipment for quality assurance

OPTIONS/ACCESSORIES

Roof Curb: Prefabricated heavy-gauge galvanized steel, clip lock, 14" high (other heights are also available) with 1-1/2" wood nailer. Assures perfect fit of fan to roof opening. Options include burglar bars, single or double pitch construction and hinged curbs for easy duct access. Welded & custom curbs available.

DIMENSIONAL DATA



Model	A	B	C	D*	Shaft Dia.
7	20-1/2	17-3/8	7	20	3/4
9	24-1/2	19-7/8	7-3/8	24	3/4
10	28-1/2	22	8-3/8	28	3/4
12	32-1/2	25-1/8	8-3/4	32	1
15	36-1/2	28-7/8	9-7/8	36	1
18	40-1/2	34-1/8	11-1/2	40	1

*D is inside dimension
Dimensions in Inches

PERFORMANCE DATA

RFC07

CFM	OV		Static Pressure in Inches (w.g.)							
			1/8	1/4	1/2	3/4	1	1-1/2	2	2-1/2
300	1192	RPM	630	808	1099	1332	1530	1860	2137	2379
		BHP	0.03	0.05	0.10	0.16	0.23	0.39	0.56	0.75
		Sones	2.3	3.5	6.1	8.4	10.3	14.2	17.9	21
400	1590	RPM	722	871	1132	1354	1549	1879	2159	-
		BHP	0.05	0.07	0.13	0.20	0.28	0.45	0.64	-
		Sones	3.6	4.4	6.6	8.7	10.6	14.6	18.3	-
500	1987	RPM	829	956	1186	1391	1576	1899	2177	-
		BHP	0.08	0.10	0.17	0.25	0.33	0.52	0.72	-
		Sones	4.6	5.6	7.4	9.2	11.1	15.0	18.6	-
600	2385	RPM	944	1056	1259	1445	1617	1926	-	-
		BHP	0.11	0.15	0.22	0.31	0.40	0.60	-	-
		Sones	5.7	7.1	8.6	10.0	11.8	15.4	-	-
700	2782	RPM	1064	1164	1346	1514	1673	1964	-	-
		BHP	0.17	0.20	0.29	0.38	0.48	0.69	-	-
		Sones	7.0	8.3	9.8	11.2	12.7	16.0	-	-
800	3180	RPM	1187	1278	1443	1597	1743	-	-	-
		BHP	0.23	0.28	0.37	0.47	0.57	-	-	-
		Sones	8.4	9.5	11.6	12.7	14.0	-	-	-
900	3577	RPM	1313	1396	1548	1689	1823	-	-	-
		BHP	0.32	0.37	0.47	0.58	0.69	-	-	-
		Sones	9.9	10.7	13.2	14.5	15.5	-	-	-
1000	3975	RPM	1440	1516	1657	1788	-	-	-	-
		BHP	0.43	0.48	0.59	0.71	-	-	-	-
		Sones	11.5	12.3	14.4	16.4	-	-	-	-
1100	4372	RPM	1569	1639	1770	-	-	-	-	-
		BHP	0.55	0.61	0.74	-	-	-	-	-
		Sones	13.3	14.0	15.8	-	-	-	-	-
1200	4769	RPM	1698	-	-	-	-	-	-	-
		BHP	0.71	-	-	-	-	-	-	-
		Sones	15.2	-	-	-	-	-	-	-

Power Ratings (BHP) does not include transmission losses.
 Performance certified is for installation type A - free inlet, free outlet.
 Performance ratings include the effects of the outlet hood and screen, but do not include the effects of the backdraft dampers or other appurtenances (accessories).
 The sound ratings shown are loudness values in fan sones @ 5' (1.5m) in a hemispherical free field calculated per AMCA Standard 301. Values shown are for: Installation Type A: free inlet hemispherical sone levels.



S&P, Div. of Soler & Palau Ventilation Group, certifies that the Models RFC shown herein are licensed to bear the AMCA Seal. The ratings shown are based on test and procedures performed in accordance with AMCA Publication 211 and AMCA Publication 311 and comply with the requirement of the AMCA Certified Ratings Program.

RFC09

CFM	OV		Static Pressure in Inches (w.g.)								
			1/8	1/4	1/2	3/4	1	1-1/2	2	2-1/2	
300	680	RPM	461	-	-	-	-	-	-	-	-
		BHP	0.02	-	-	-	-	-	-	-	-
		Sones	1.2	-	-	-	-	-	-	-	-
400	906	RPM	474	-	-	-	-	-	-	-	-
		BHP	0.03	-	-	-	-	-	-	-	-
		Sones	1.3	-	-	-	-	-	-	-	-
500	1133	RPM	507	658	-	-	-	-	-	-	-
		BHP	0.04	0.07	-	-	-	-	-	-	-
		Sones	1.8	3.2	-	-	-	-	-	-	-
600	1359	RPM	551	680	-	-	-	-	-	-	-
		BHP	0.05	0.08	-	-	-	-	-	-	-
		Sones	2.5	3.6	-	-	-	-	-	-	-
700	1586	RPM	601	714	929	-	-	-	-	-	-
		BHP	0.07	0.10	0.18	-	-	-	-	-	-
		Sones	3.2	4.1	6.4	-	-	-	-	-	-
800	1812	RPM	654	756	948	1132	-	-	-	-	-
		BHP	0.09	0.13	0.21	0.31	-	-	-	-	-
		Sones	3.9	4.7	6.7	9.2	-	-	-	-	-
900	2039	RPM	710	804	977	1145	1306	-	-	-	-
		BHP	0.12	0.16	0.24	0.34	0.47	-	-	-	-
		Sones	4.8	5.5	7.2	9.4	11.4	-	-	-	-
1000	2266	RPM	767	854	1013	1166	1316	-	-	-	-
		BHP	0.16	0.20	0.29	0.39	0.51	-	-	-	-
		Sones	5.7	6.3	7.9	9.7	11.6	-	-	-	-
1100	2492	RPM	825	908	1055	1196	1334	1599	-	-	-
		BHP	0.20	0.25	0.34	0.44	0.56	0.86	-	-	-
		Sones	6.5	7.2	8.7	10.2	11.9	16.1	-	-	-
1200	2719	RPM	884	963	1101	1231	1359	1608	-	-	-
		BHP	0.26	0.30	0.40	0.51	0.63	0.92	-	-	-
		Sones	7.5	8.1	9.5	10.9	12.3	16.3	-	-	-
1300	2945	RPM	944	1019	1150	1272	1391	1624	-	-	-
		BHP	0.32	0.37	0.47	0.58	0.70	0.99	-	-	-
		Sones	8.4	9.1	10.4	11.6	13.0	16.7	-	-	-
1400	3172	RPM	1004	1076	1201	1316	1427	-	-	-	-
		BHP	0.38	0.44	0.55	0.67	0.79	-	-	-	-
		Sones	9.5	10.2	11.3	12.4	13.8	-	-	-	-
1500	3398	RPM	1065	1134	1254	1363	1468	-	-	-	-
		BHP	0.46	0.52	0.64	0.76	0.89	-	-	-	-
		Sones	10.7	11.3	12.2	13.3	14.7	-	-	-	-
1600	3625	RPM	1125	1193	1308	1412	-	-	-	-	-
		BHP	0.55	0.62	0.75	0.87	-	-	-	-	-
		Sones	11.8	12.3	13.3	14.4	-	-	-	-	-
1700	3851	RPM	1187	1252	1363	1463	-	-	-	-	-
		BHP	0.65	0.73	0.86	0.99	-	-	-	-	-
		Sones	12.9	13.4	14.4	15.5	-	-	-	-	-
1800	4078	RPM	1249	1312	1419	-	-	-	-	-	-
		BHP	0.76	0.84	0.99	-	-	-	-	-	-
		Sones	14.0	14.5	15.5	-	-	-	-	-	-
1900	4304	RPM	1310	1372	-	-	-	-	-	-	-
		BHP	0.89	0.97	-	-	-	-	-	-	-
		Sones	15.2	15.6	-	-	-	-	-	-	-



S&P, Div. of Soler & Palau Ventilation Group, certifies that the Models RFC shown herein are licensed to bear the AMCA Seal. The ratings shown are based on test and procedures performed in accordance with AMCA Publication 211 and AMCA Publication 311 and comply with the requirement of the AMCA Certified Ratings Program.

Power Ratings (BHP) does not include transmission losses. Performance certified is for installation type A - free inlet, free outlet. Performance ratings include the effects of the outlet hood and screen, but do not include the effects of the backdraft dampers or other appurtenances (accessories). The sound ratings shown are loudness values in fan sones @ 5' (1.5m) in a hemispherical free field calculated per AMCA Standard 301. Values shown are for: Installation Type A: free inlet hemispherical sone levels.

RFC10

CFM	OV		Static Pressure in Inches (w.g.)								
			1/8	1/4	1/2	3/4	1	1-1/2	2	2-1/2	
400	680	RPM	392	-	-	-	-	-	-	-	-
		BHP	0.03	-	-	-	-	-	-	-	-
		Sones	1.4	-	-	-	-	-	-	-	-
500	850	RPM	400	-	-	-	-	-	-	-	-
		BHP	0.03	-	-	-	-	-	-	-	-
		Sones	1.6	-	-	-	-	-	-	-	-
600	1020	RPM	418	556	-	-	-	-	-	-	-
		BHP	0.04	0.07	-	-	-	-	-	-	-
		Sones	1.9	3.5	-	-	-	-	-	-	-
700	1190	RPM	442	565	-	-	-	-	-	-	-
		BHP	0.05	0.08	-	-	-	-	-	-	-
		Sones	2.3	3.7	-	-	-	-	-	-	-
800	1360	RPM	470	581	785	-	-	-	-	-	-
		BHP	0.06	0.10	0.18	-	-	-	-	-	-
		Sones	2.8	4.0	6.9	-	-	-	-	-	-
900	1530	RPM	501	602	790	-	-	-	-	-	-
		BHP	0.08	0.11	0.20	-	-	-	-	-	-
		Sones	3.3	4.4	7.0	-	-	-	-	-	-
1000	1700	RPM	535	627	801	962	-	-	-	-	-
		BHP	0.10	0.14	0.23	0.34	-	-	-	-	-
		Sones	3.9	4.8	7.2	9.9	-	-	-	-	-
1100	1870	RPM	569	655	816	968	-	-	-	-	-
		BHP	0.13	0.16	0.26	0.37	-	-	-	-	-
		Sones	4.5	5.4	7.5	10.0	-	-	-	-	-
1200	2040	RPM	605	686	835	978	1113	-	-	-	-
		BHP	0.16	0.20	0.29	0.40	0.53	-	-	-	-
		Sones	5.2	6.0	8.0	10.2	12.5	-	-	-	-
1300	2211	RPM	642	718	858	992	1120	-	-	-	-
		BHP	0.19	0.23	0.33	0.45	0.58	-	-	-	-
		Sones	5.9	6.6	8.5	10.5	12.7	-	-	-	-
1400	2381	RPM	679	751	883	1009	1131	1359	-	-	-
		BHP	0.23	0.28	0.38	0.50	0.63	0.94	-	-	-
		Sones	6.6	7.3	9.1	10.9	13.0	17.9	-	-	-
1500	2551	RPM	716	785	911	1030	1145	1364	-	-	-
		BHP	0.27	0.33	0.43	0.55	0.69	1.00	-	-	-
		Sones	7.3	8.0	9.8	11.4	13.4	18.0	-	-	-
1600	2721	RPM	754	821	940	1053	1162	1372	1569	-	-
		BHP	0.32	0.38	0.49	0.62	0.75	1.07	1.44	-	-
		Sones	8.1	8.8	10.4	11.9	13.9	18.2	23	-	-
1700	2891	RPM	793	856	971	1078	1182	1383	-	-	-
		BHP	0.38	0.44	0.56	0.69	0.82	1.14	-	-	-
		Sones	8.8	9.6	11.1	12.6	14.5	18.5	-	-	-
1800	3061	RPM	831	893	1003	1105	1204	1396	-	-	-
		BHP	0.44	0.51	0.63	0.76	0.91	1.23	-	-	-
		Sones	9.7	10.5	11.8	13.3	15.1	18.9	-	-	-
1900	3231	RPM	871	930	1035	1133	1228	1412	-	-	-
		BHP	0.51	0.58	0.71	0.85	1.00	1.32	-	-	-
		Sones	10.7	11.4	12.5	14.1	15.8	19.5	-	-	-
2000	3401	RPM	910	967	1069	1163	1254	1431	-	-	-
		BHP	0.59	0.66	0.80	0.94	1.09	1.42	-	-	-
		Sones	11.7	12.2	13.4	14.9	16.5	20	-	-	-
2100	3571	RPM	949	1005	1103	1194	1282	-	-	-	-
		BHP	0.67	0.75	0.90	1.05	1.20	-	-	-	-
		Sones	12.5	13.0	14.2	15.8	17.3	-	-	-	-
2200	3741	RPM	989	1043	1138	1226	1310	-	-	-	-
		BHP	0.77	0.85	1.00	1.16	1.32	-	-	-	-
		Sones	13.5	14.0	15.2	16.6	18.1	-	-	-	-
2300	3911	RPM	1028	1081	1174	1259	1340	-	-	-	-
		BHP	0.87	0.95	1.12	1.28	1.44	-	-	-	-
		Sones	14.5	15.0	16.0	17.5	19.0	-	-	-	-
2400	4081	RPM	1068	1119	1210	1292	-	-	-	-	-
		BHP	0.98	1.07	1.24	1.41	-	-	-	-	-
		Sones	15.4	16.0	17.1	18.4	-	-	-	-	-
2500	4251	RPM	1108	1158	1246	-	-	-	-	-	-
		BHP	1.10	1.19	1.37	-	-	-	-	-	-
		Sones	16.5	17.1	18.0	-	-	-	-	-	-
2600	4421	RPM	1148	1197	-	-	-	-	-	-	-
		BHP	1.22	1.32	-	-	-	-	-	-	-
		Sones	17.5	18.1	-	-	-	-	-	-	-
2700	4591	RPM	1189	1236	-	-	-	-	-	-	-
		BHP	1.36	1.47	-	-	-	-	-	-	-
		Sones	18.5	19.1	-	-	-	-	-	-	-



S&P, Div. of Soler & Palau Ventilation Group, certifies that the Models RFC shown herein are licensed to bear the AMCA Seal. The ratings shown are based on test and procedures performed in accordance with AMCA Publication 211 and AMCA Publication 311 and comply with the requirement of the AMCA Certified Ratings Program.

Power Ratings (BHP) does not include transmission losses. Performance certified is for installation type A - free inlet, free outlet. Performance ratings include the effects of the outlet hood and screen, but do not include the effects of the backdraft dampers or other apertances (accessories). The sound ratings shown are loudness values in fan sones @ 5' (1.5m) in a hemispherical free field calculated per AMCA Standard 301. Values shown are for: Installation Type A: free inlet hemispherical sone levels.

RFC12

CFM	OV		Static Pressure in Inches (w.g.)							
			1/8	1/4	1/2	3/4	1	1-1/2	2	2-1/2
1200	1487	RPM	418	511	672	806	922	1116	1278	1419
		BHP	0.10	0.14	0.25	0.38	0.53	0.87	1.24	1.64
		Sones	3.1	4.4	7.2	9.5	11.6	16.1	20	24
1400	1735	RPM	457	540	688	818	932	1126	1290	1433
		BHP	0.14	0.19	0.30	0.44	0.60	0.95	1.34	1.77
		Sones	4.0	5.1	7.6	9.8	11.9	16.4	21	25
1600	1982	RPM	498	574	710	833	943	1136	1300	1444
		BHP	0.19	0.25	0.37	0.51	0.67	1.04	1.45	1.90
		Sones	4.9	5.9	8.2	10.1	12.2	16.8	21	25
1800	2230	RPM	541	611	737	852	958	1146	1309	-
		BHP	0.26	0.32	0.45	0.59	0.76	1.14	1.57	-
		Sones	5.9	6.9	8.8	10.7	12.6	17.2	21	-
2000	2478	RPM	585	650	767	875	975	1158	1319	-
		BHP	0.34	0.40	0.54	0.70	0.87	1.26	1.70	-
		Sones	6.9	7.9	9.6	11.3	13.2	17.6	22	-
2200	2726	RPM	630	691	801	902	997	1172	1330	-
		BHP	0.43	0.50	0.65	0.82	0.99	1.39	1.85	-
		Sones	8.1	9.0	10.4	12.1	14.0	18.1	22	-
2400	2974	RPM	675	733	837	932	1022	1190	-	-
		BHP	0.54	0.62	0.79	0.96	1.14	1.55	-	-
		Sones	9.3	10.0	11.4	12.9	14.8	18.7	-	-
2600	3221	RPM	721	776	874	964	1050	1210	-	-
		BHP	0.67	0.76	0.94	1.12	1.31	1.73	-	-
		Sones	10.4	11.1	12.4	14.0	15.8	19.5	-	-
2800	3469	RPM	768	821	914	999	1081	1234	-	-
		BHP	0.82	0.92	1.11	1.30	1.50	1.94	-	-
		Sones	11.6	12.3	13.7	15.2	16.9	20	-	-
3000	3717	RPM	815	865	954	1036	1113	-	-	-
		BHP	0.99	1.10	1.31	1.51	1.72	-	-	-
		Sones	12.9	13.7	15.1	16.6	18.0	-	-	-
3200	3965	RPM	863	910	996	1074	1148	-	-	-
		BHP	1.19	1.31	1.53	1.74	1.96	-	-	-
		Sones	14.6	15.2	16.6	17.9	19.4	-	-	-
3400	4213	RPM	910	956	1038	1113	-	-	-	-
		BHP	1.41	1.53	1.77	2.00	-	-	-	-
		Sones	16.1	16.8	18.0	19.4	-	-	-	-



S&P, Div. of Soler & Palau Ventilation Group, certifies that the Models RFC shown herein are licensed to bear the AMCA Seal. The ratings shown are based on test and procedures performed in accordance with AMCA Publication 211 and AMCA Publication 311 and comply with the requirement of the AMCA Certified Ratings Program.

Power Ratings (BHP) does not include transmission losses.

Performance certified is for installation type A - free inlet, free outlet.

Performance ratings include the effects of the outlet hood and screen, but do not include the effects of the backdraft dampers or other appurtenances (accessories).

The sound ratings shown are loudness values in fan sones @ 5' (1.5m) in a hemispherical free field calculated per AMCA Standard 301. Values shown are for: Installation Type A: free inlet hemispherical sone levels.

RFC15

CFM	OV		Static Pressure in Inches (w.g.)							
			1/8	1/4	1/2	3/4	1	1-1/2	2	2-1/2
1500	1425	RPM	349	427	561	672	767	927	1060	1176
		BHP	0.11	0.16	0.29	0.43	0.60	0.96	1.37	1.81
		Sones	3.0	4.3	7.2	9.6	12.4	16.8	21	25
1750	1663	RPM	381	451	575	682	776	936	1071	1188
		BHP	0.16	0.21	0.34	0.50	0.67	1.06	1.49	1.96
		Sones	3.8	4.9	7.6	9.9	12.8	17.2	22	26
2000	1901	RPM	415	479	594	695	787	945	1080	1199
		BHP	0.22	0.28	0.42	0.58	0.76	1.17	1.62	2.11
		Sones	4.7	5.7	8.3	10.5	13.2	17.6	22	27
2250	2138	RPM	451	510	616	712	800	955	1089	1208
		BHP	0.29	0.36	0.51	0.67	0.86	1.29	1.76	2.28
		Sones	5.7	6.7	8.9	11.2	13.7	18.0	23	27
2500	2376	RPM	488	543	641	731	815	966	1099	1217
		BHP	0.38	0.45	0.61	0.79	0.98	1.42	1.92	2.45
		Sones	6.7	7.8	9.6	12.1	14.4	18.5	23	28
2750	2613	RPM	525	577	669	754	833	979	1109	1227
		BHP	0.48	0.57	0.74	0.92	1.13	1.58	2.09	2.64
		Sones	7.8	9.0	10.7	13.1	15.1	19.2	24	28
3000	2851	RPM	563	612	699	779	854	994	1121	1237
		BHP	0.61	0.70	0.89	1.08	1.29	1.76	2.28	2.85
		Sones	9.0	10.0	12.0	14.2	16.0	19.9	24	29
3250	3088	RPM	602	648	730	806	878	1012	1135	-
		BHP	0.75	0.86	1.06	1.26	1.48	1.96	2.50	-
		Sones	10.2	11.1	13.3	15.3	17.0	21	25	-
3500	3326	RPM	641	685	763	835	903	1031	1150	-
		BHP	0.92	1.03	1.25	1.47	1.70	2.20	2.75	-
		Sones	11.3	12.5	14.7	16.5	18.1	22	26	-
3750	3564	RPM	680	722	796	865	930	1053	-	-
		BHP	1.11	1.24	1.47	1.70	1.94	2.46	-	-
		Sones	12.7	14.0	15.9	17.7	19.2	23	-	-
4000	3801	RPM	720	760	831	897	959	1077	-	-
		BHP	1.33	1.47	1.71	1.96	2.21	2.75	-	-
		Sones	14.4	15.5	17.3	18.9	20	24	-	-
4250	4039	RPM	760	798	866	929	989	-	-	-
		BHP	1.58	1.72	1.99	2.25	2.51	-	-	-
		Sones	16.0	16.9	18.6	20	22	-	-	-
4500	4276	RPM	800	837	902	963	1020	-	-	-
		BHP	1.86	2.01	2.29	2.57	2.85	-	-	-
		Sones	17.5	18.4	19.9	21	23	-	-	-
4750	4514	RPM	841	875	939	997	-	-	-	-
		BHP	2.17	2.33	2.63	2.92	-	-	-	-
		Sones	18.9	19.7	21	23	-	-	-	-
5000	4751	RPM	881	915	976	-	-	-	-	-
		BHP	2.51	2.68	3.00	-	-	-	-	-
		Sones	20	21	23	-	-	-	-	-



S&P, Div. of Soler & Palau Ventilation Group, certifies that the Models RFC shown herein are licensed to bear the AMCA Seal. The ratings shown are based on test and procedures performed in accordance with AMCA Publication 211 and AMCA Publication 311 and comply with the requirement of the AMCA Certified Ratings Program.

Power Ratings (BHP) does not include transmission losses.

Performance certified is for installation type A - free inlet, free outlet.

Performance ratings include the effects of the outlet hood and screen, but do not include the effects of the backdraft dampers or other appurtenances (accessories).

The sound ratings shown are loudness values in fan sones @ 5' (1.5m) in a hemispherical free field calculated per AMCA Standard 301. Values shown are for: Installation Type A: free inlet hemispherical sone levels.

RFC18

CFM	OV		Static Pressure in Inches (w.g.)							
			1/8	1/4	1/2	3/4	1	1-1/2	2	2-1/2
3000	2175	RPM	379	427	517	600	680	809	925	1027
		BHP	0.36	0.46	0.67	0.90	1.16	1.74	2.37	3.05
		Sones	5.5	6.5	9.4	13.2	16.9	22	27	34
3250	2357	RPM	403	448	532	611	687	817	930	1032
		BHP	0.44	0.54	0.76	1.01	1.28	1.88	2.53	3.24
		Sones	6.3	7.2	10.1	13.9	17.2	22	28	34
3500	2538	RPM	428	469	548	624	694	825	935	1037
		BHP	0.54	0.64	0.87	1.13	1.41	2.03	2.70	3.43
		Sones	7.1	7.9	10.9	14.6	17.5	23	28	35
3750	2719	RPM	452	491	566	638	705	833	944	1042
		BHP	0.65	0.76	1.00	1.27	1.55	2.19	2.89	3.64
		Sones	7.9	8.7	11.7	15.3	17.9	23	29	35
4000	2900	RPM	477	514	585	653	718	842	952	1048
		BHP	0.77	0.89	1.14	1.41	1.71	2.37	3.09	3.86
		Sones	8.8	9.8	12.7	16.0	18.5	24	29	35
4250	3082	RPM	503	537	604	669	732	849	960	1057
		BHP	0.91	1.03	1.29	1.58	1.89	2.56	3.30	4.09
		Sones	9.9	10.9	13.7	16.6	19.1	24	30	36
4500	3263	RPM	528	561	625	687	746	859	967	1065
		BHP	1.06	1.19	1.47	1.76	2.08	2.77	3.53	4.34
		Sones	11.1	12.2	14.9	17.4	19.6	24	30	37
4750	3444	RPM	554	585	646	705	762	871	975	1073
		BHP	1.23	1.37	1.66	1.96	2.29	3.00	3.78	4.61
		Sones	12.5	13.5	15.9	18.1	20	25	31	37
5000	3626	RPM	580	610	668	724	779	884	984	1081
		BHP	1.42	1.56	1.86	2.18	2.52	3.25	4.05	4.90
		Sones	13.9	15.0	16.8	18.9	21	26	31	38
5250	3807	RPM	606	634	690	744	797	898	995	-
		BHP	1.63	1.78	2.09	2.42	2.77	3.52	4.33	-
		Sones	15.4	16.4	17.7	19.7	22	26	32	-
5500	3988	RPM	632	659	712	764	815	913	1007	-
		BHP	1.86	2.02	2.34	2.68	3.04	3.81	4.64	-
		Sones	17.0	17.5	18.8	21	23	27	33	-
5750	4169	RPM	659	685	735	785	834	929	1020	-
		BHP	2.11	2.27	2.61	2.96	3.33	4.12	4.97	-
		Sones	18.2	18.7	19.8	21	23	28	33	-
6000	4351	RPM	685	710	759	807	854	946	-	-
		BHP	2.38	2.55	2.90	3.26	3.64	4.46	-	-
		Sones	19.3	19.9	21	22	24	29	-	-
6250	4532	RPM	712	736	783	829	874	963	-	-
		BHP	2.68	2.85	3.22	3.59	3.98	4.81	-	-
		Sones	21	21	22	23	25	30	-	-
6500	4713	RPM	738	761	807	851	895	-	-	-
		BHP	3.00	3.18	3.55	3.94	4.35	-	-	-
		Sones	22	22	23	24	26	-	-	-
6750	4894	RPM	765	787	831	874	916	-	-	-
		BHP	3.34	3.53	3.92	4.32	4.73	-	-	-
		Sones	23	23	24	26	27	-	-	-
7000	5076	RPM	792	813	855	897	-	-	-	-
		BHP	3.71	3.91	4.31	4.72	-	-	-	-
		Sones	24	25	26	27	-	-	-	-
7250	5257	RPM	818	839	880	-	-	-	-	-
		BHP	4.11	4.31	4.73	-	-	-	-	-
		Sones	26	26	27	-	-	-	-	-
7500	5438	RPM	845	865	-	-	-	-	-	-
		BHP	4.54	4.75	-	-	-	-	-	-
		Sones	27	27	-	-	-	-	-	-
7750	5620	RPM	872	-	-	-	-	-	-	-
		BHP	4.99	-	-	-	-	-	-	-
		Sones	28	-	-	-	-	-	-	-



S&P, Div. of Soler & Palau Ventilation Group, certifies that the Models RFC shown herein are licensed to bear the AMCA Seal. The ratings shown are based on test and procedures performed in accordance with AMCA Publication 211 and AMCA Publication 311 and comply with the requirement of the AMCA Certified Ratings Program.

Power Ratings (BHP) does not include transmission losses. Performance certified is for installation type A - free inlet, free outlet. Performance ratings include the effects of the outlet hood and screen, but do not include the effects of the backdraft dampers or other appurtenances (accessories). The sound ratings shown are loudness values in fan sones @ 5' (1.5m) in a hemispherical free field calculated per AMCA Standard 301. Values shown are for: Installation Type A: free inlet hemispherical sone levels.