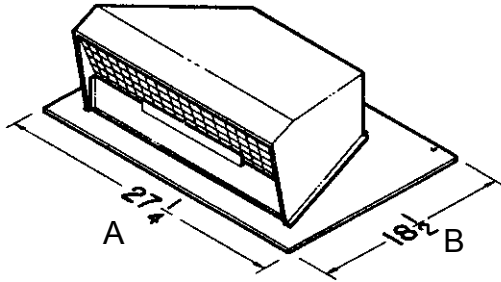




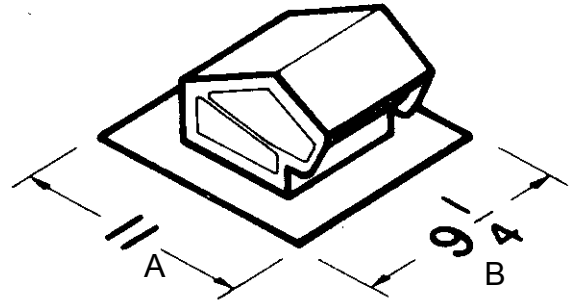
P: 866.733.0233
www.solerpalaucanada.com

CEILING AND IN-LINE VENTILATOR ACCESSORIES

ROOF CAPS FOR FF/FFC UNITS

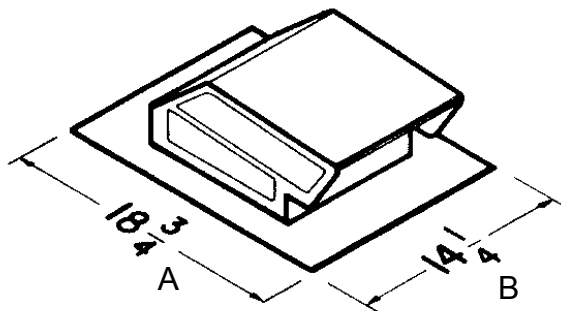


- Model 437**
- High capacity design - up to 1200 CFM
 - Built-in birdscreen
 - Steel, black electrically - bonded epoxy finish



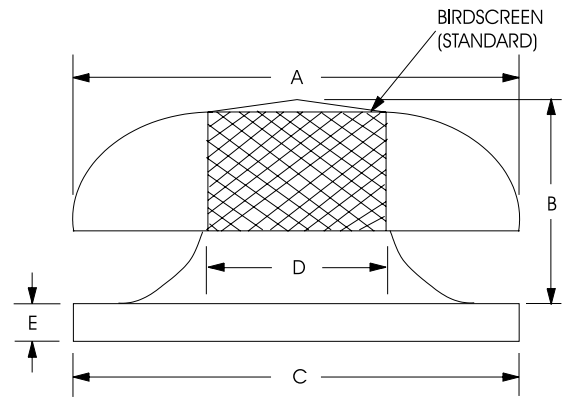
- Model 636**
- Black electrically - bonded epoxy finish
 - Built-in backdraft damper & birdscreen
 - For 3" or 4" round duct

- Model 636AL**
- Same as Model 636 - except Aluminum
 - Natural finish



- Model 634**
- Black electrically - bonded epoxy finish
 - Built-in backdraft damper & birdscreen
 - For 3 1/4" x 10" or up to 8" round duct

- Model 644**
- Same as Model 634 - except Aluminum
 - Natural finish



Model RCXII - 18" and 20" units

| Size | A | B | C | D | E | Est. Wt. |
|------|--------|--------|--------|--------|---|----------|
| 18 | 32 3/4 | 12 1/2 | 29 1/2 | 18 5/8 | 2 | 35 |
| 20 | 32 3/4 | 12 1/2 | 29 1/2 | 20 | 2 | 35 |

| | |
|-----------------|------------------|
| Project: _____ | Submitted: _____ |
| Customer: _____ | Approved: _____ |
| Location: _____ | |