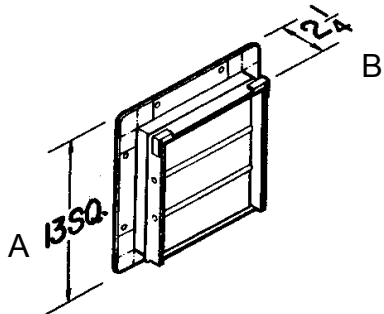




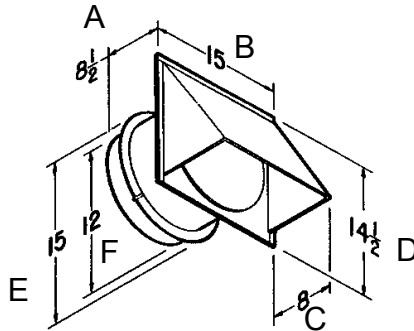
# CEILING & INLINE VENTILATOR ACCESSORIES

P: 866.733.0233  
www.solerpalaucanada.com

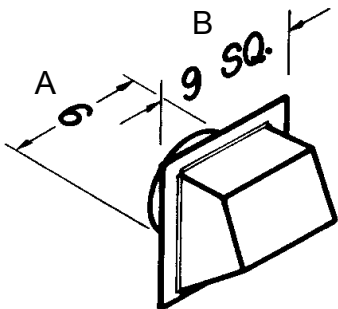
## WALL CAPS FOR FF/FFC UNITS



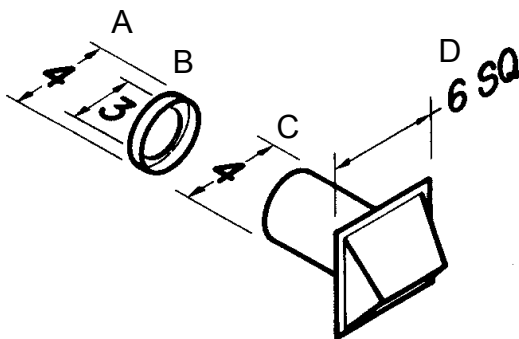
- Model 441**
- Gravity dampers
  - Collar with birdscreen for attaching 10" round duct
  - Steel construction with aluminum louvers



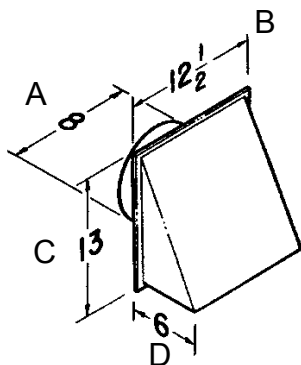
- Model 613**
- High Capacity
  - Built-in backdraft damper & birdscreen
  - Aluminum natural finish
  - For 12" round duct



- Model 641**
- Aluminum natural finish
  - Built-in backdraft damper & birdscreen
  - For 6" round duct



- Model 642**
- Aluminum natural finish
  - Built-in backdraft damper
  - For 3" or 4" round duct (4" to 3" transition included)



- Model 643**
- Aluminum natural finish
  - Built-in backdraft damper
  - For 8" round duct

Project: _____	Submitted: _____
Customer: _____	Approved: _____
Location: _____	