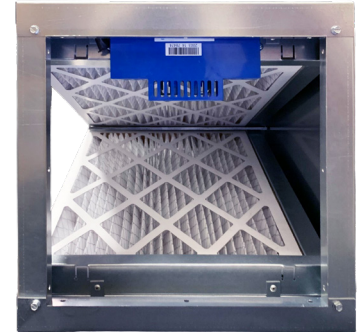




**ADVANCING VENTILATION®**

# BREATHECLEAN BANKED FILTER BOX



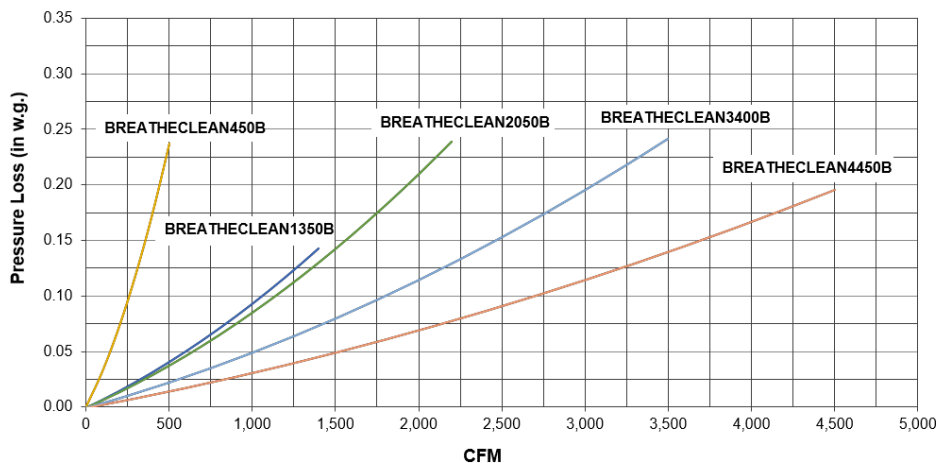
## FEATURES:

- Models 450B through 2050B are 115V/230V, 1PH, 50/60HZ
- Models 3400B through 4450B are 24-240V AC/DC, 1PH, 50/60HZ
- 2" MERV 13 filters standard
- Galvanized construction
- Removable side panels for easy access to filters
- Unit fitted with NPBI® (Needlepoint Bipolar Ionization) technology
- Ionization technology is certified by UL2998 as ozone free

## PERFORMANCE:

Part ID	S&P Fan Pairing Suggestion	CFM Min	CFM Max
BREATHECLEAN450B	SQD06	75	450
BREATHECLEAN1350B	SQB/D 07-08	75	1350
BREATHECLEAN2050B	SQB/D 10	500	2050
BREATHECLEAN3400B	SQB/D 12	500	3400
BREATHECLEAN4450B	SQB/D 15	825	4450

## PRESSURE LOSS:

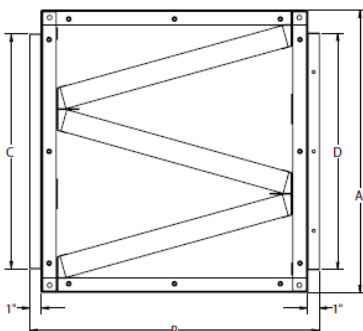


### NPBI® (NEEDLEPOINT BIPOLAR IONIZATION) TECHNOLOGY

NPBI technology cleans the air by introducing ions into the space via the airflow in your ventilation system. This technology delivers indoor air that's free of ozone and other harmful by-products. Through NPBI, products improve the air by reducing airborne particulates, odors and pathogens.



## DIMENSIONS:



MODEL	Filter Box Dimensions				Avg. Ship Weight	No. of Filters	2" Filter Nominal Size*
	A	B	C	D			
BREATHECLEAN450B	12	17-3/16	8-7/8	9	17	1	11X14X2
BREATHECLEAN1350B	15	25	11-7/8	12	29	2	15X20X2
BREATHECLEAN2050B	18	24-1/2	13-7/8	14	37	2	16X20X2
BREATHECLEAN3400B	22	29-1/8	17-7/8	18	50	2	20X25X2
BREATHECLEAN4450B	24	24-5/8	21-7/8	22	50	3	20X25X2

\* Check with factory for exact filter size