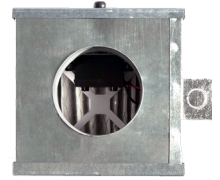




ADVANCING VENTILATION®

BREATHECLEAN 4

Residential filter box featuring NPBI®



FEATURES:

NPBI® Technology	FC-3T-BAS Unit w/ APV-12-24 Transformer
Duct Diameter (in)	4
Filter MERV Rating	MERV 13
Filter Dimensions (in)	8 X 8 X 2
Repl Filter part no	M13F8X8X2
Volts/Ph/hz	120V-240V/1PH/50/60HZ
Power	12 Watts
BAS Alarm Contacts	3A/115V Maximum Dry Contact
Temperature/Humidity Range	-20° to 160°F / 0 - 100%

NPBI® (NEEDLEPOINT BIPOLAR IONIZATION) TECHNOLOGY

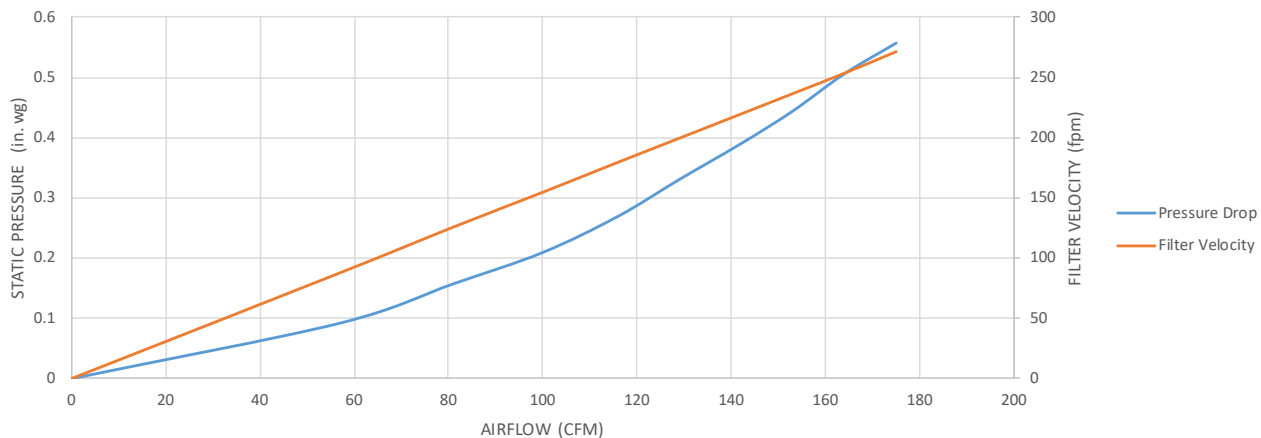
NPBI technology cleans the air by introducing ions into the space via the airflow in your ventilation system. This technology delivers indoor air that's free of ozone and other harmful by-products. Through NPBI, products improve the air by reducing airborne particulates, odors and pathogens.



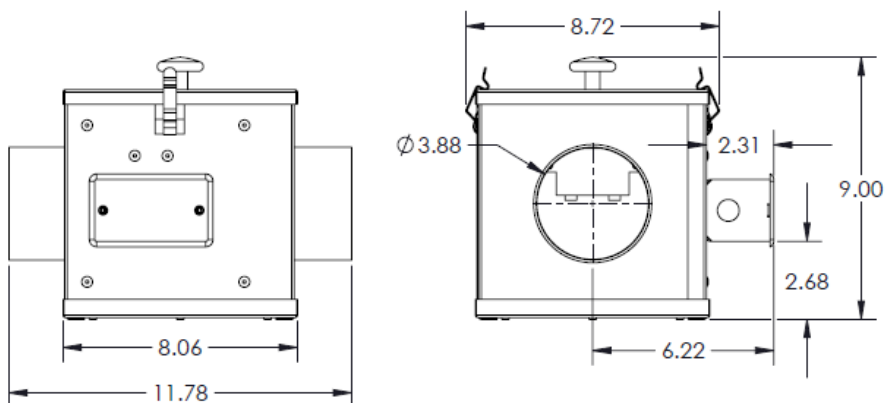
IONIZATION TECHNOLOGY

PRESSURE LOSS:

BREATHECLEAN4 PRESSURE DROP



DIMENSIONS:



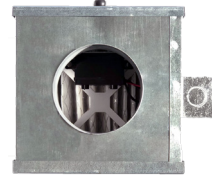
All specifications are subject to change without notice unless approved in submittal by S&P.
BreatheClean4-041221



ADVANCING VENTILATION®

BREATHECLEAN 5

Residential filter box featuring NPBI®



FEATURES:

NPBI® Technology	FC-3T-BAS Unit w/ APV-12-24 Transformer
Duct Diameter (in)	5
Filter MERV Rating	MERV 13
Filter Dimensions (in)	8 X 8 X 2
Repl Filter part no	M13F8X8X2
Volts/Ph/hz	120V-240V/1PH/50/60HZ
Power	12 Watts
BAS Alarm Contacts	3A/115V Maximum Dry Contact
Temperature/Humidity Range	-20° to 160°F / 0 - 100%

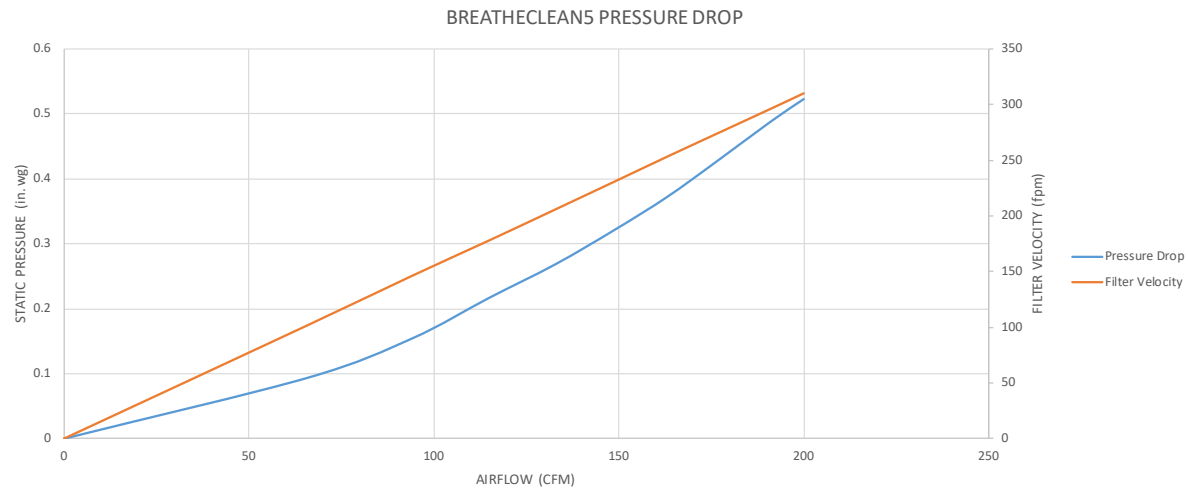
NPBI® (NEEDLEPOINT BIPOLAR IONIZATION) TECHNOLOGY

NPBI technology cleans the air by introducing ions into the space via the airflow in your ventilation system. This technology delivers indoor air that's free of ozone and other harmful by-products. Through NPBI, products improve the air by reducing airborne particulates, odors and pathogens.

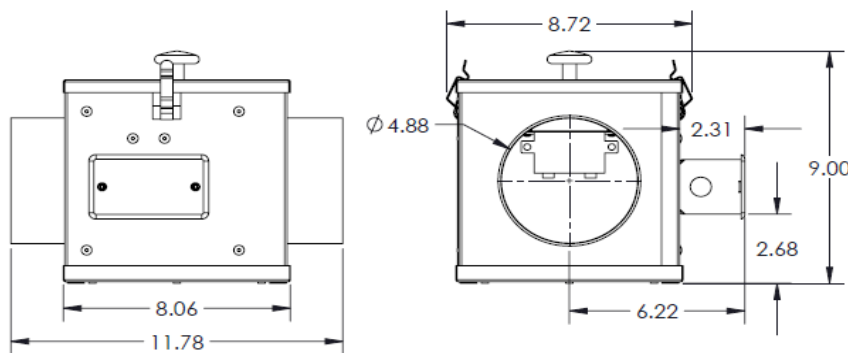


IONIZATION TECHNOLOGY

PRESSURE LOSS:



DIMENSIONS:



All specifications are subject to change without notice unless approved in submittal by S&P.
BreatheClean5-041221

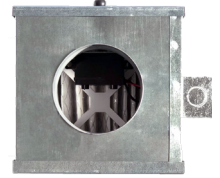


ADVANCING VENTILATION®

FEATURES:

NPBI® Technology	FC-3T-BAS Unit w/ APV-12-24 Transformer
Duct Diameter (in)	6
Filter MERV Rating	MERV 13
Filter Dimensions (in)	8 X 8 X 2
Repl Filter part no	M13F8X8X2
Volts/Ph/hz	120V-240V/1PH/50/60HZ
Power	12 Watts
BAS Alarm Contacts	3A/115V Maximum Dry Contact
Temperature/Humidity Range	-20° to 160°F / 0 - 100%

BREATHCLEAN6
Residential filter box featuring NPBI®



NPBI® (NEEDLEPOINT BIPOLAR IONIZATION) TECHNOLOGY

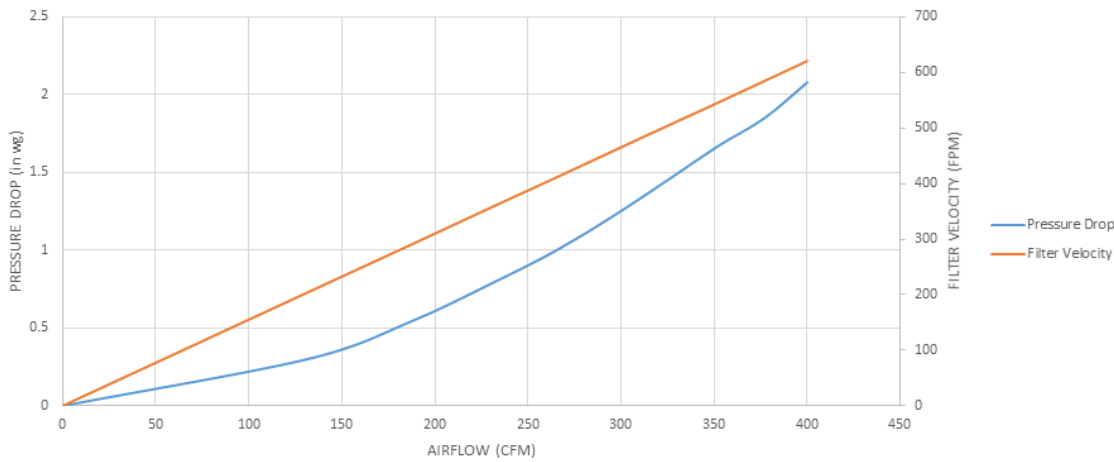
NPBI technology cleans the air by introducing ions into the space via the airflow in your ventilation system. This technology delivers indoor air that's free of ozone and other harmful by-products. Through NPBI, products improve the air by reducing airborne particulates, odors and pathogens.



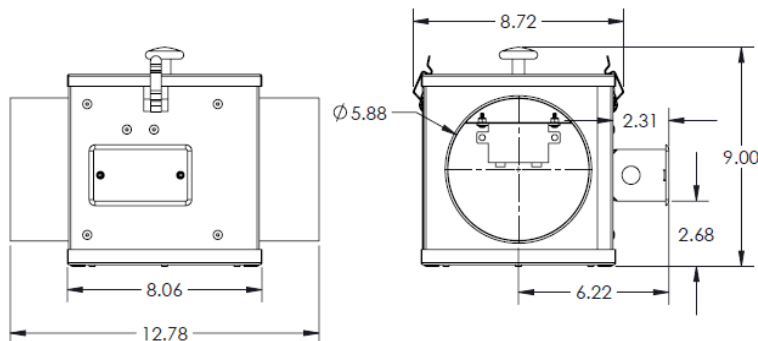
IONIZATION TECHNOLOGY

PRESSURE LOSS:

BREATHCLEAN6 PRESSURE DROP



DIMENSIONS:



All specifications are subject to change without notice unless approved in submittal by S&P.
BreatheClean6-041221