



TRC 1200RT-230-3P

TRC1200RTH-230-3P, TRC1200RTV-230-3P

ENERGY RECOVERY VENTILATOR



ROOFTOP UNIT



Energy recovery core is AHRI Certified®



SPECIFICATIONS

Ventilation Type: Static plate, heat and humidity transfer

Airflow Range: 375–1,630 CFM

AHRI 1060 Certified Core:

One L62-G5 and one L125-G5

Standard Features:

Non-fused disconnect
24VAC transformer/relay package
Cross-core differential pressure ports

Filters:

Total qty. 4, MERV 8: (2) 14" x 20" x 2" and
(2) 16" x 20" x 2"

Unit Weight: 387 lbs.

Max. Shipping Dimensions & Weight (on pallet):

70" L x 47" W x 83" H
456 lbs.

Motor(s):

Qty. 2, 1.0 HP ea., Direct drive standard motorized impellers

Optional Electrical Accessories:

STC7D-W: Digital Time Clock (wall mount)
SMC-C: Motion Occupancy Control (ceiling mount)
SMC-W: Motion Occupancy Control (wall mount)
SCO2-W: CO2 Control (wall mount)

Optional TRC-RT General Accessories:

190101: Roof Curb (CURB1.5) (TRC 1200RT)
1.5XHECC: TRC 1200RT Tie Down Clip Kit
990080: MERV8 (14" x 20" x 2" filter)
990229: MERV8 (16" x 20" x 2" filter)
990300: MERV13 (14" x 20" x 2" filter)
990301: MERV13 (16" x 20" x 2" filter)

AIRFLOW PERFORMANCE

Motor HP Phase	Blower RPM	EXTERNAL STATIC PRESSURE (INCHES WATER COLUMN)													
		0.00		0.25		0.50		0.75		1.00		1.25		1.50	
		SCFM	Watts	SCFM	Watts	SCFM	Watts	SCFM	Watts	SCFM	Watts	SCFM	Watts	SCFM	Watts
1.0 Three Phase	1475	1630	1440	1485	1435	1335	1415	1170	1375	995	1325	810	1260	615	1180

Note: Watts is for the entire unit (2 motors). Airflow performance includes effect of clean, standard filter supplied with unit.

ELECTRICAL DATA

STANDARD ELECTRICAL SPECIFICATIONS								
Max. Unit Watts/HP	Volts	Hz	Phase	Motor Full Load Amperage (FLA) per Motor	Max. Amp Drawn by the Unit	Min. Circuit Ampacity	Max. Overcurrent Protection Device	
1440/1.0	208–230	60	Three	2.2–2.2	4.4	5.0	15	

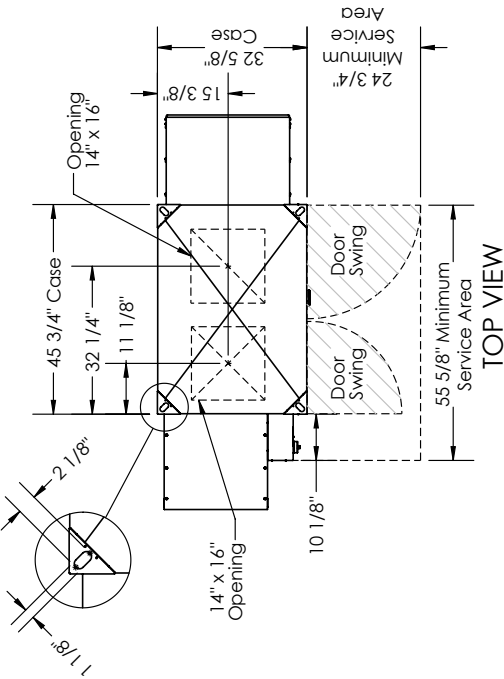


TRC1200RTV-230-3P, TRCe1200RTV-230-1P ENERGY RECOVERY VENTILATOR

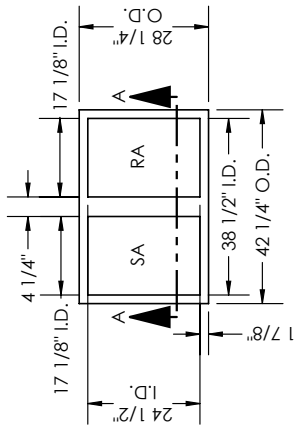
ABBREVIATIONS
 EA: Exhaust Air to outside
 OA: Outside Air intake
 RA: Room Air to be exhausted
 SA: Supply Air to inside
 RTV: Rooftop Vertical RA & SA

INSTALLATION ORIENTATION
 Unit must be installed in orientation shown.

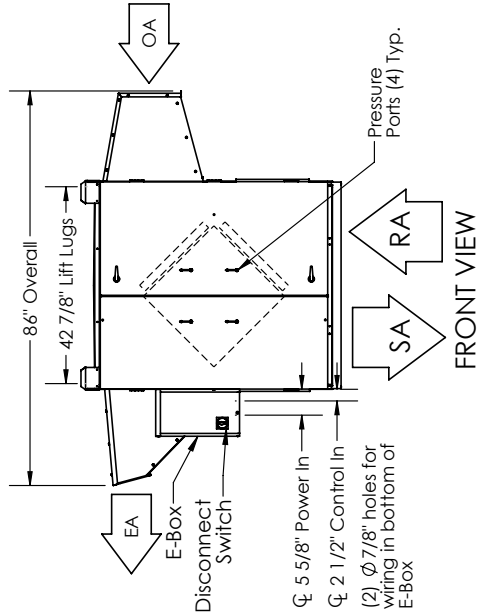
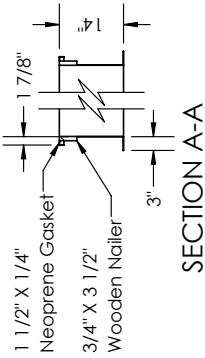
NOTE:
 1. UNLESS OTHERWISE SPECIFIED, DIMENSIONS ARE ROUNDED TO THE NEAREST EIGHTH OF AN INCH.
 2. SPECIFICATIONS MAY BE SUBJECT TO CHANGE WITHOUT NOTICE.



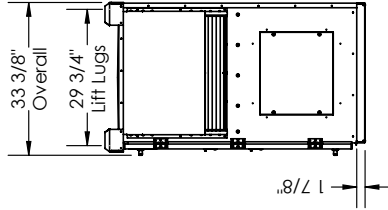
TRC1200RTV CURB



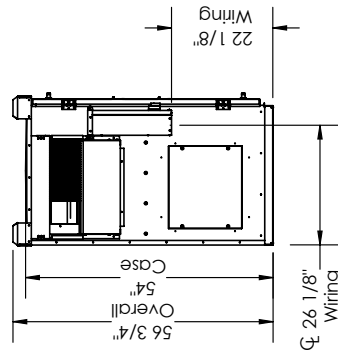
CURB CROSS-SECTION A-A (TYP.)



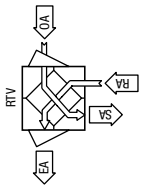
FRONT VIEW



RIGHT VIEW



LEFT VIEW



AIRFLOW ORIENTATION
 Available as shown:



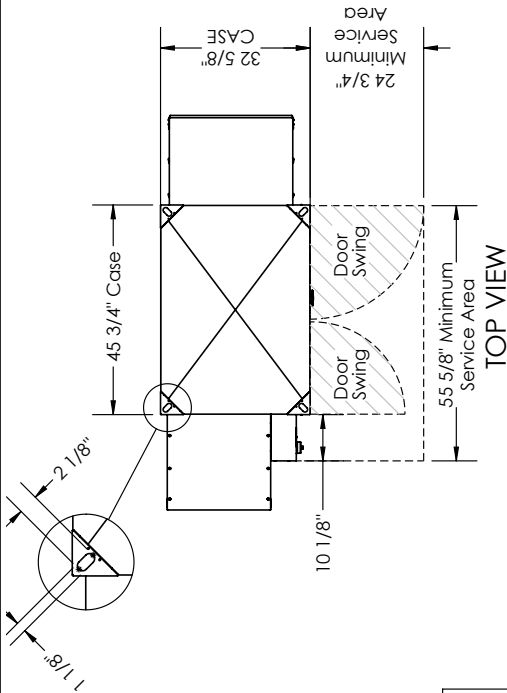
UNIT MOUNTING & APPLICATION
 Must be mounted as shown. Airstreams cannot be switched.

TRC1200RTH-230-3P, TRCe1200RTH-230-1P ENERGY RECOVERY VENTILATOR

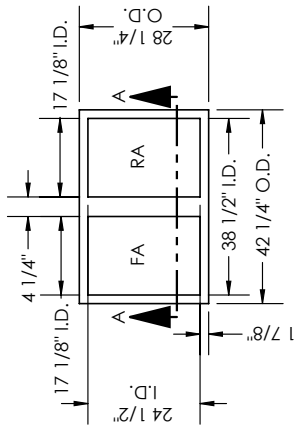
ABBREVIATIONS
 EA: Exhaust Air to outside
 OA: Outside Air intake
 RA: Room Air to be exhausted
 SA: Supply Air to inside
 RTH: Rooftop Horizontal RA & FA

INSTALLATION ORIENTATION
 Unit must be installed in orientation shown.

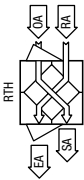
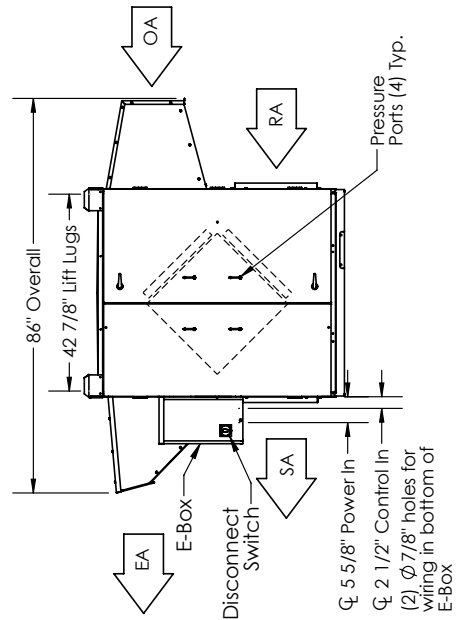
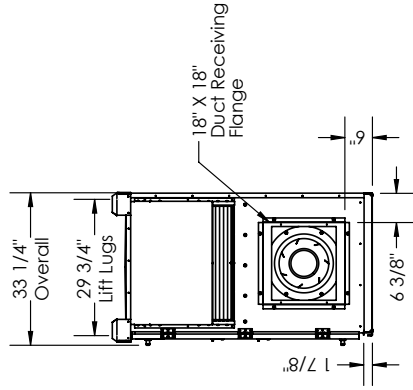
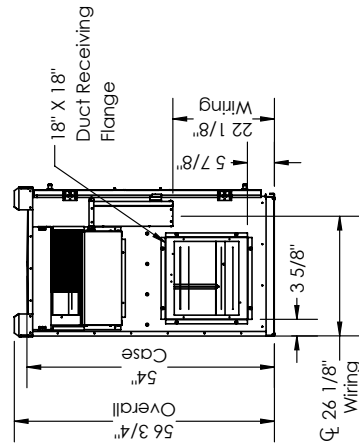
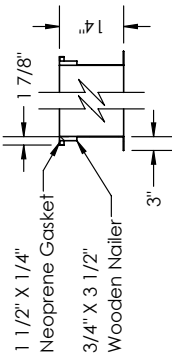
NOTE:
 1. UNLESS OTHERWISE SPECIFIED, DIMENSIONS ARE ROUNDED TO THE NEAREST EIGHTH OF AN INCH.
 2. SPECIFICATIONS MAY BE SUBJECT TO CHANGE WITHOUT NOTICE.



TRC1200RT CURB



CURB CROSS-SECTION A-A (TYP.)



AIRFLOW ORIENTATION
 Available as shown:



UNIT MOUNTING & APPLICATION
 Must be mounted as shown. Airstreams cannot be switched.