



TRCeN 500RT-230-1P

TRCeN500RTH-230-1P, TRCeN500RTV-230-1P

ENERGY RECOVERY VENTILATOR EC MOTOR



ROOFTOP UNIT



SPECIFICATIONS

Ventilation Type: Static plate, heat and humidity transfer

Airflow Range: 166–431 CFM

AHRI 1060 Certified Core: One L85-G5

Standard Features:

- Non-fused disconnect
- 24VAC transformer/relay package
- Cross-core differential pressure ports
- Independent blower control

Filters: Total Qty. 2, MERV 8: 14" x 20" x 2"

Unit Weight: 218 lbs.

Max. Shipping Dimensions & Weight (on pallet):

60" L x 32" W x 82 1/4" H
255 lbs.

Motor(s):

Qty. 2, 170W ea., Direct drive EC motorized
impeller packages (208–230V/1Ph/60Hz)

Optional Electrical Accessories:

- STC7D-W: Digital Time Clock (wall mount)
- SMC-C: Motion Occupancy Control (ceiling mount)
- SMC-W: Motion Occupancy Control (wall mount)
- SCO2-W: CO2 Control (wall mount)

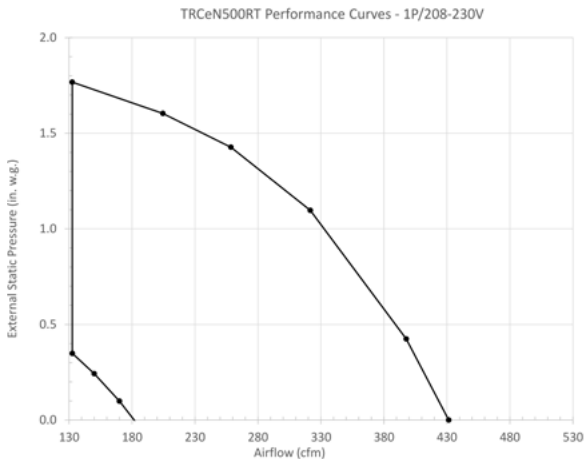
Optional TRC-RT General Accessories:

- BD10: 10" Backdraft Damper
- BD12: 12" Backdraft Damper
- 147599: TRCeN500RTH/V 07HEDF Rectangular 12" x 12" Flange Kit (2 per kit)
- 147435: HE07RT Roof Curb (TRCeN500RT)
- 1XHECC: TRCeN500RT Tie Down Clip Kit
- 990080: MERV8 (14" x 20" x 2" filter)
- 990300: MERV13 (14" x 20" x 2" filter)

Energy recovery core is AHRI Certified®



EC MOTOR OPERATING RANGE AND FAN PERFORMANCE



TRCeN500RT MOTOR 1P/208-230V		
Airflow (CFM)	Standard EC	
	External Static Pressure (Inches Water Column)	Unit Power Consumption (Watts)
133	1.77	265
204	1.60	310
259	1.43	342
322	1.10	371
398	0.42	388
431	0.00	387

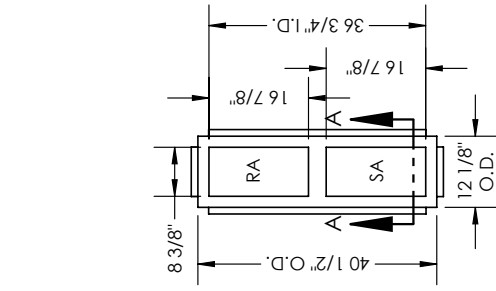
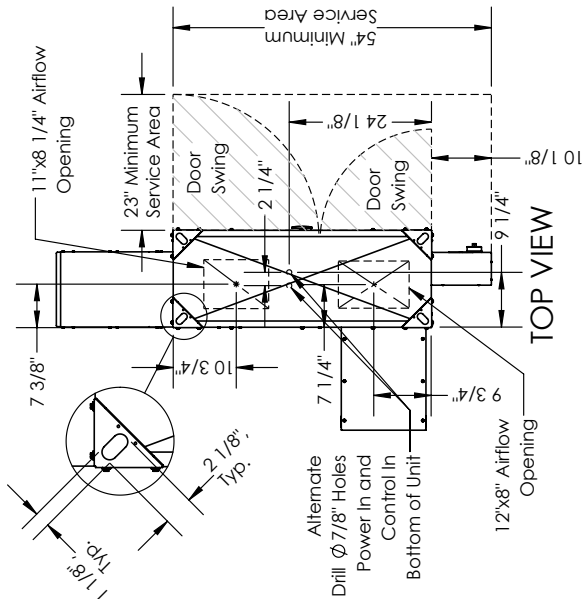
Note: Airflow performance includes effect of clean, standard filter supplied with unit.

ELECTRICAL DATA

Watts	Volts	Hz	Phase	Motor Full Load Amperage (FLA) per Motor	Max. Amp Drawn by the Unit	Min. Circuit Ampacity	Max. Overcurrent Protection Device
170	208–230	60	Single	1.16	2.32	2.6	15



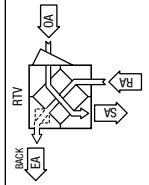
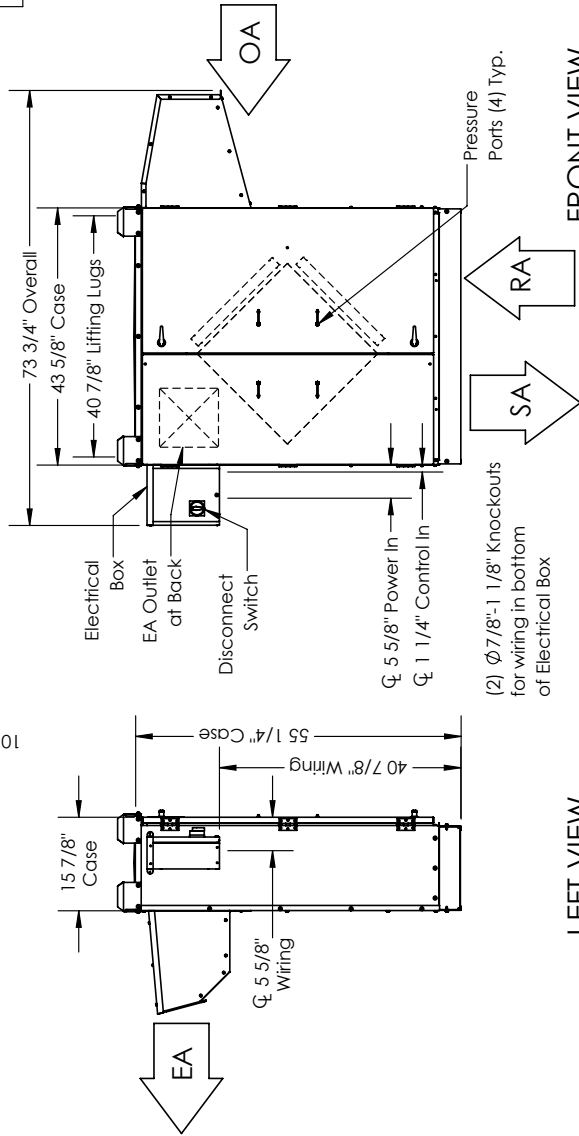
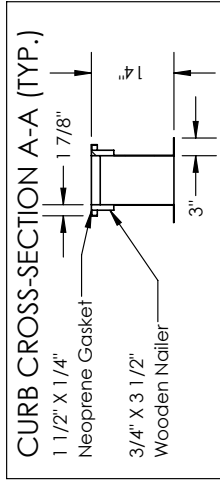
TRCeN500RTV-230-1P ENERGY RECOVERY VENTILATOR EC MOTOR



ABBREVIATIONS
 EA: Exhaust Air to Outside
 OA: Outside Air Intake
 RA: Room Air to be Exhausted
 SA: Supply Air to Inside
 RTH: Rooftop Horizontal RA & SA

INSTALLATION ORIENTATION
 Unit must be installed in orientation shown.

NOTE
 1. UNLESS OTHERWISE SPECIFIED, DIMENSIONS ARE ROUNDED TO THE NEAREST EIGHTH OF AN INCH.
 2. SPECIFICATIONS MAY BE SUBJECT TO CHANGE WITHOUT NOTICE.



AIRFLOW ORIENTATION
 Available as shown:

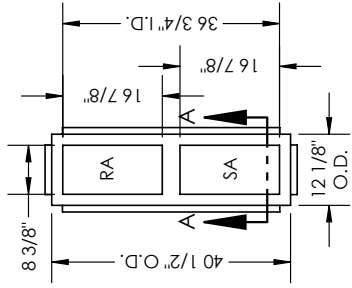
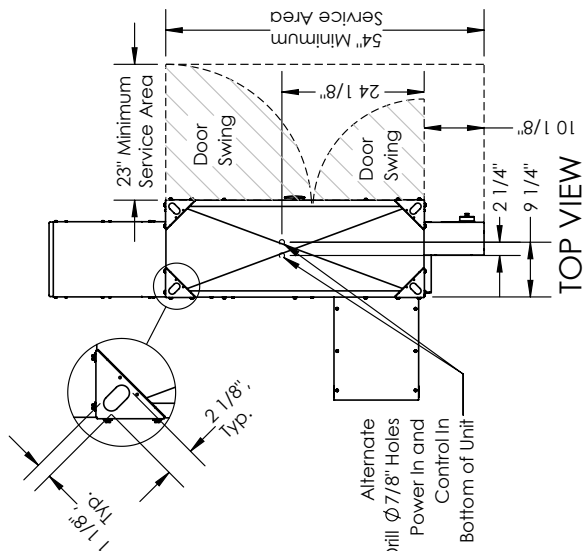


RIGHT VIEW

FRONT VIEW

LEFT VIEW

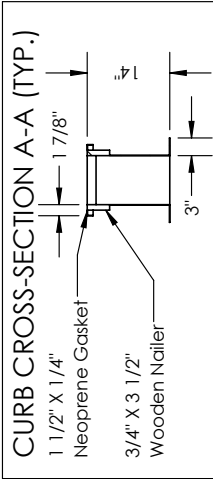
TRCeN500RTH-230-1P ENERGY RECOVERY VENTILATOR EC MOTOR



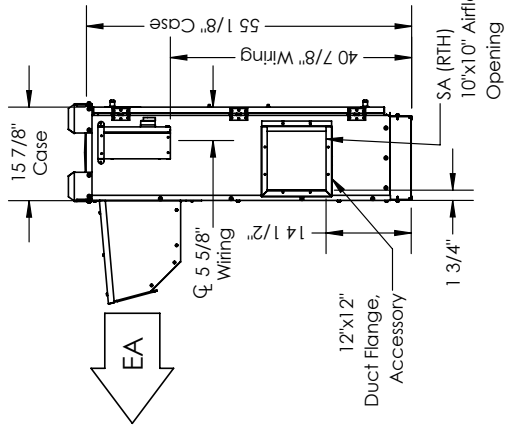
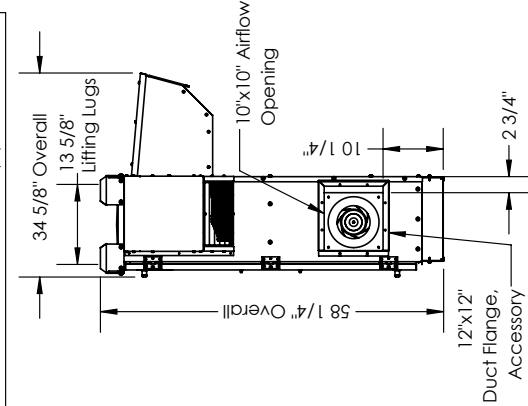
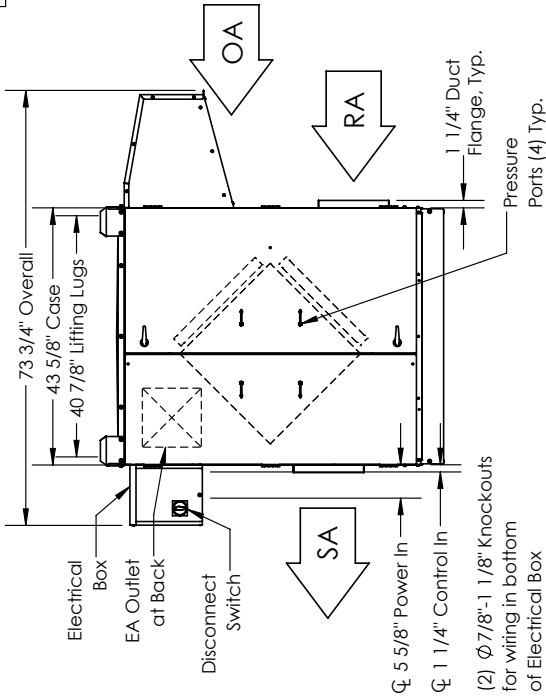
ABBREVIATIONS
 EA: Exhaust Air to Outside
 OA: Outside Air Intake
 RA: Room Air to be Exhausted
 SA: Supply Air to Inside
 RTH: Rooftop Horizontal RA & SA

INSTALLATION ORIENTATION
 Unit must be installed in orientation shown.

NOTE
 1. UNLESS OTHERWISE SPECIFIED, DIMENSIONS ARE ROUNDED TO THE NEAREST EIGHTH OF AN INCH.
 2. SPECIFICATIONS MAY BE SUBJECT TO CHANGE WITHOUT NOTICE.

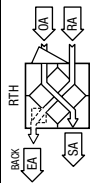


TRCeN500RT CURB



FRONT VIEW

RIGHT VIEW



UNIT MOUNTING & APPLICATION
 Must be mounted as shown. Airstreams cannot be switched.

AIRFLOW ORIENTATION
 Available as shown:

