



ALUMINUM MOTORIZED HAT CHANNEL DAMPER MODEL ACD

P: 800.961.7370
www.solerpalau-usa.com

FEATURES

Frame

- 5" x 1" x .100 thick Extruded Aluminum Hat Channel.

Blades

- 7" wide x .080 thick extruded aluminum. Parallel Blade Action.

Seals

- Blade – Extruded TPV (-70°F to +280° F).
- Jamb – Stainless Steel..

Tie Rod

- On-blade type.

Bushings

- Nylon

Finish

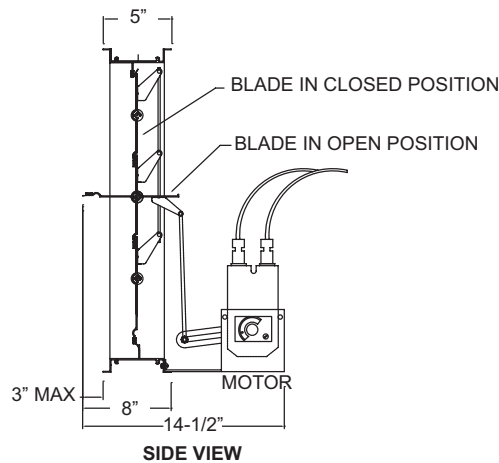
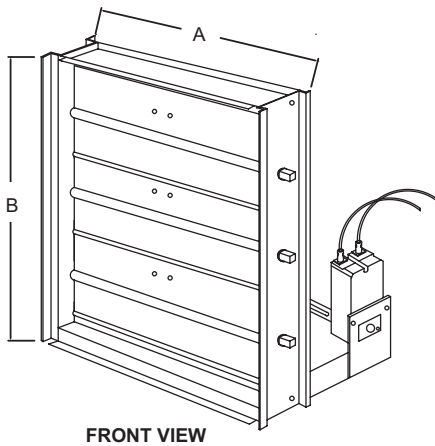
- Mill

Performance Criteria:

- 3,500 fpm Maximum Velocity.
- 4" wg Maximum Pressure.
- 122 Degree Maximum Temperature.

MOTOR SPECS

Motor Manufacturer	Model Number	Power Supply Required	Motor Type	Temperature Range F°
Belimo	TF120-S	120/240 V 50/60 Hz	2 position Spring Return	-22 to 122



Dimensions in Inches

Part No.	Overall Frame Dimensions (W x H)	Face Area (Sq. Ft.)	Est. Free Area (Sq. Ft.)	Est. Shipping Weight (lbs)
ACD12	11.75 x 11.75	.96	.37	5
ACD16	15.75 x 15.75	1.73	1.05	7
ACD20	19.75 x 19.75	2.71	2.13	10.5
ACD24	23.75 x 23.75	3.92	3.17	13
ACD30	29.75 x 29.75	6.15	5.11	18.5
ACD36	35.75 x 35.75	8.88	7.56	25
ACD42	41.75 x 41.75	12.11	10.49	34
ACD48	47.75 x 47.75	15.84	13.90	42

Note: Dimensions are approximate due to normal tolerances in the manufacturing process. Estimated Free Area calculation is based upon the following formula: $MD[A+B+ (N \times C)]/144$. Free Area x FPM = CFM; actual performance may vary.