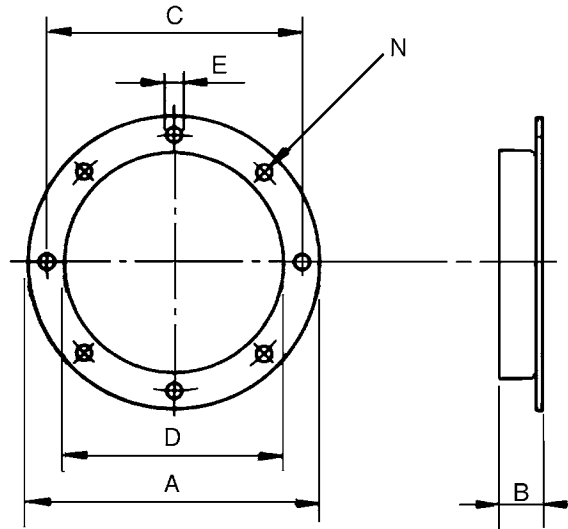


# BRIDA - Round Duct Matching Flange

P: 866.733.0233  
www.solerpalaucanada.com



## Dimensions inches/mm

Model	A	B	C	D	E	N (# of Holes)
BRIDA-315	15.20 386	2.17 55	13.98 355	12.40 315	0.39 10	8
BRIDA-400	19.17 487	0.48 63	17.72 450	15.75 400	0.47 12	8
BRIDA-450	21.14 537	0.48 63	19.69 500	17.72 450	0.47 12	8
BRIDA-500	23.43 595	2.72 69	22.05 560	16.69 500	0.47 12	12

ACCESSORY MODEL	1	2	3	4	5	REMARKS

Project: _____	Submitted: _____
Customer: _____	Approved: _____
Location: _____	

For more information contact us at [www.solerpalaucanada.com](http://www.solerpalaucanada.com) for additional submittal drawings.

S&P will not be responsible for fabrication changes or errors resulting from customer use of a non-current submittal drawing.