

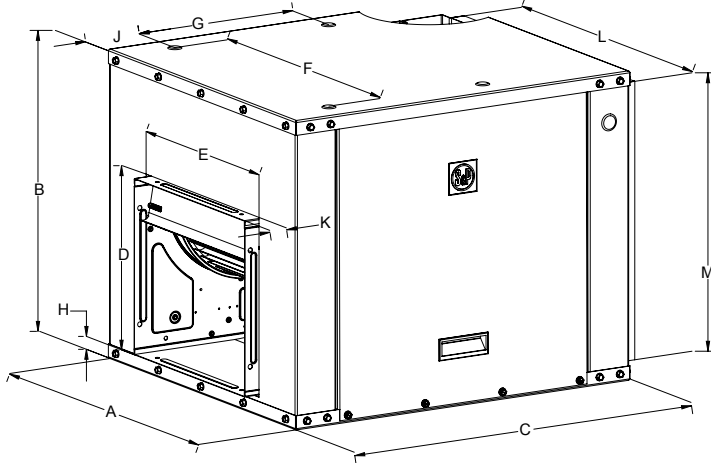


P: 866.733.0233
www.solerpalaucanada.com

MODEL CFD FORWARD CURVED INLINE DUCT BLOWERS

STANDARD FEATURES

- Rated up to 5,800 CFM in static pressure applications up to 2-1/2" w.g.
- 5 sizes ranging from 7 to 15
- Single DWDI forward curved blower assembly with the motor located in the air stream
- Belt drives permit easy performance adjustments when needed
- Can be used in both horizontal & vertical air flow positions
- Removable access panels provide easy access for service
- AMCA Air & Sound Certified
- cULus Listed



Model	A	B	C	D	E	F	G	H	J	K	L	M	Shaft (MM/IN)	WT (LBS)
7	18	15-3/8	23	8-1/4	9-1/4	14	7-11/16	1-1/4	1-7/8	5/8	15-7/8	13-3/8	20/.75	43
9	21	18	23	10-1/4	11-13/16	17	10-1/4	1-1/4	3-1/8	3-1/8	19	16	20/.75	55
10	22-1/4	20	24-3/4	11-1/4	13-1/8	18-1/4	11-3/8	1-1/4	3-11/16	3-11/16	20-1/4	18	20/.75	65
12	27	23	27-1/2	13-7/16	15-5/8	23	13-1/8	1-1/4	2-3/4	2-3/4	25	21	25/1	82
15	33-1/2	28	32	15-7/8	18-5/8	29-1/2	17-11/16	2-5/8	3	3	30-1/2	25	25/1	140

Metric Shafts have 'H' bushings installed to accommodate common pulleys

FAN SPECIFICATIONS									MOTOR SPECIFICATIONS				
Line	Qty.	Model No.	Tag	CFM	SP	Fan RPM	BHP	Sones	HP	Volts	Phase	Hertz	Encl
1													
2													
3													
4													
5													

ACCESSORY ITEMS	1	2	3	4	5	ACCESSORY ITEMS	1	2	3	4	5
<input type="checkbox"/>						<input type="checkbox"/>					
<input type="checkbox"/>						<input type="checkbox"/>					
<input type="checkbox"/>						<input type="checkbox"/>					
<input type="checkbox"/>						<input type="checkbox"/>					
<input type="checkbox"/>						<input type="checkbox"/>					

Subject to change unless approved in submittal by S&P.
CFD_Submittal

