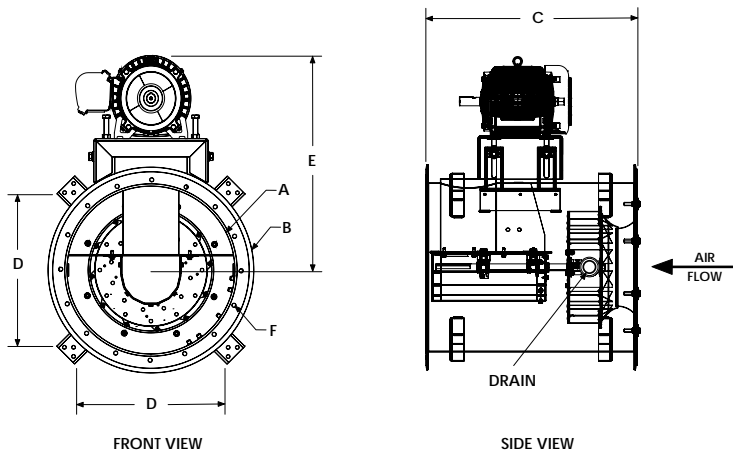


INDOOR UNIT



STANDARD FEATURES

- Heavy-gauge rolled steel construction.
- Integral inlet and outlet flanges with mounting holes.
- Continuous welded and epoxy coated.
- Belt and bearing tube.
- Two threaded drain connections aid maintenance and serviceability operations.
- Removable bearing cover for ease of maintenance.
- Eight mounting supports welded to each fan.
- Adjustable motor base for belt tensioning.
- Extended lube lines.
- Non-overloading, backward inclined wheel.
- Sized for minimum 150% of drive horsepower.
- Bearings are designed for minimum 200,000 hour life, L50.
- Cast iron self-aligning pillow block ball bearings.
- Bearings are sealed and prelubricated.
- For indoor use only.
- AMCA Air, Sound, and FEI certified.
- cULus 726 Listed.
- Optional access door.

MODEL NO.	HOUSINGS				B.C.D.	E (MAX)	HOLES		MAX MOTOR FRAME	STEEL HOUSING GAUGES	AVG. SHIP WT. (LBS)
	I.D. A	O.D. B	LENGTH C	D			DIA.	#			
9	18-3/8	22-1/2	23*	17-15/16	19-3/4	24	7/16"	8	56	14	125
11	18-3/8	22-1/2	23*	17-15/16	19-3/4	24	7/16"	8	143T	14	126
13	20-3/8	24-1/2	24-1/2	18-3/8	21-3/4	25	7/16"	8	145T	14	130
15	24-3/8	28-9/16	25-1/2	21-1/4	25-3/4	29	7/16"	8	182T	12	170
18	30-3/8	34-9/16	31	25-1/2	32	31	7/16"	8	182T	12	236
22	36-3/8	38-9/16	35-1/2	29-13/16	38	33-1/2	7/16"	8	182T	12	296
24	42-1/2	40-5/8	42	34-1/8	44-1/4	34-1/2	7/16"	8	184T	10	420
30	48-1/2	47	48-1/2	38-3/8	50-3/4	40-1/2	7/16"	8	213T	10	544
36	55	53	54	43	57-1/4	44	7/16"	8	215T	10	694
42	61	59-1/2	59-1/2	47-1/4	63-1/4	45	7/16"	8	215T	10	879

Note: All dimensions shown are in inches.

*Motor may extend past unit