



**ADVANCING
VENTILATION®**

THVLS ECO-MANUAL

SINGLE-FAN CONTROLLER

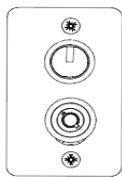
FEATURES:

- Easily mounted to wall.
- Control each fan individually
- S&P USA supplies you with 100 ft. of 6-core cable for installation
- Operate your fans in forward (cooling) motion
- Manually control each fan's speed.

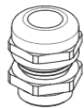


Power Supply	0-10V DC analog from VFD	Fans/Control	Single fan control
Dimensions	3"W x 2"H x 5"D	Power Consumption	0.5W
Weight	0.75 lb	Connections	6-core shielded wire
Language Protocol	0-10v signal	Max Cable Length	300 Ft.
User Interface	Rotary dial	Rating	NEMA 4X, IP65
Enclosure Material	Field supplied		

PACKAGE CONTENTS



A. IDFC Controller
(x1)



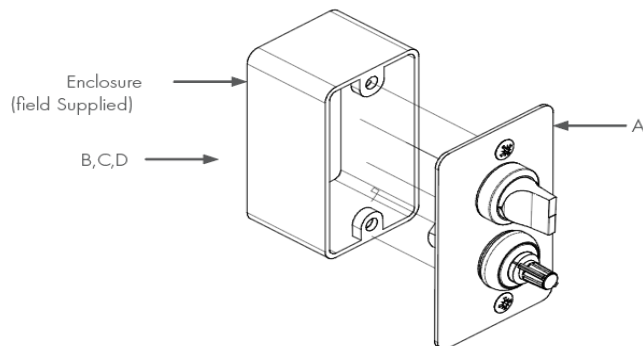
B. Strain Relief Bushing
(x1)



C. 3.5" Jumper
(x1)



D. Control Cable
(100 ft)

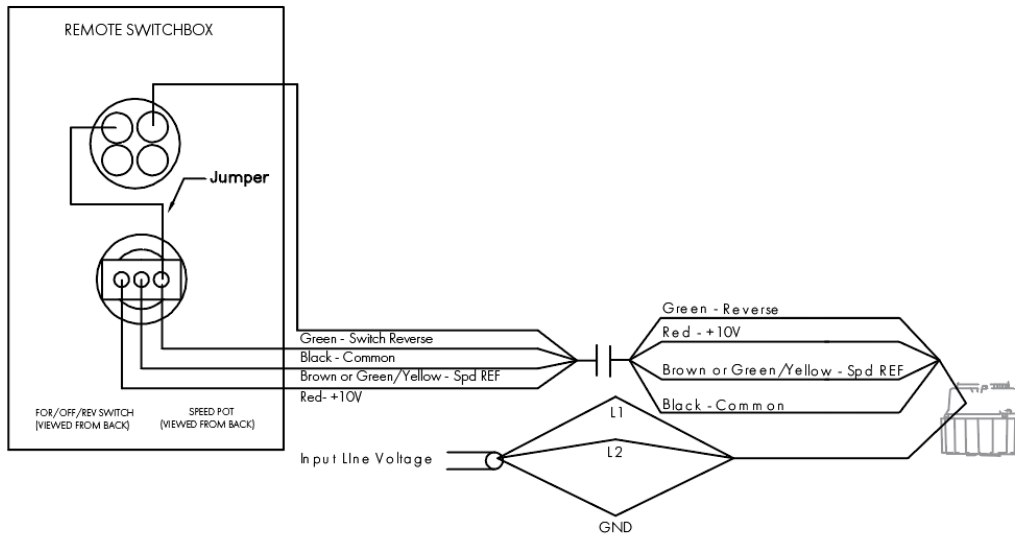




ADVANCING
VENTILATION®

INTERNAL WIRING DIAGRAMS - DIRECT DRIVES

120V/1PH & 230V/1PH



230V/3PH & 460V/3 PH

