



PC50X - Premium Choice Fan

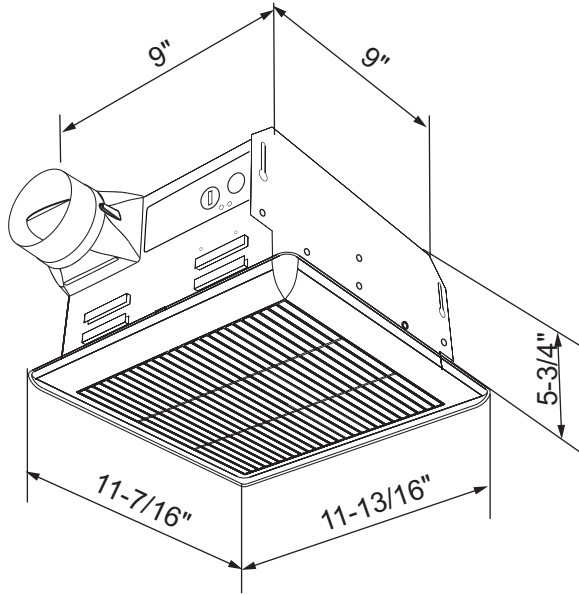
(Ceiling Mounted Ventilation Fans)



Performance

Model	CFM	Static Pressure (in W.G.)	Energy Efficiency (CFM/Watts)	Watts	Power (V/Hz)	Sones	Amps
PC50X	50/38	0.1/0.25	3.5	16.1	120/60	0.9	.2

Dimensions



Model	Duct Dia.	Grille Size (Sq. in inches)	Cabinet Size (in Inches)			Unit Wgt. (lbs)
			W	D	H	
PC50X	4"	11-7/16 x 11-13/16	9	9	5-3/4	7



Options & Accessories

- Humidity Sensor, Plug-&-Play module
- Speed Control Plug-&-Play module

Typical Specifications:

Ventilating fan shall be S&P PC50X mounted in the ceiling. The fan shall have a 5-year limited warranty. The fan shall be HVI Certified at 0.1 inch water gauge for CFM performance above. The fan shall be ENERGY STAR® qualified The motor shall be ETL and cETL Listed with impedance protection plus additional thermal protection.