

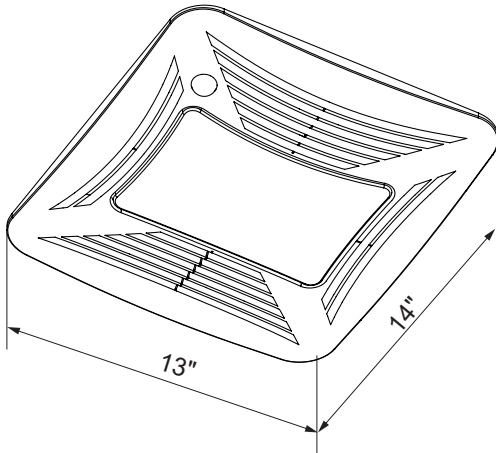


PCLMK Premium Choice Lighted Motion Sensing Kit



PC with PCLMK Installed

Dimensions (inches)

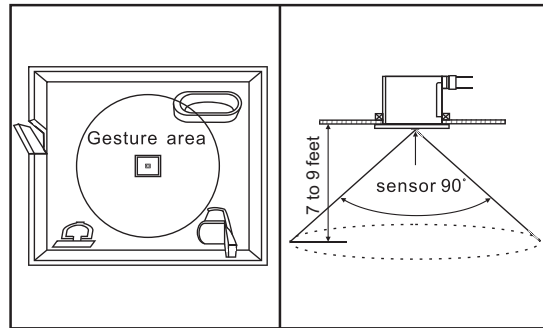


Features:

- 13 watt GU24 bulb included (900 Lumens)
- 4 watt night light bulb included
- Installation Distance: 7 to 9 feet
- Sensing range is within the cone of angle of 90°
- Adjustable Time Delay shut-off from 3 to 30 minutes
- Adjustable continuous speed or intermittent reduced speed up to 50%
- Simple plug into receptacle in fan housing
- Can be installed with new fan or as an add-on later

The PCLMK is compatible with the following PC models:

Model
PC80X
PC110X
PC150
PCD110M
PCD110XMH



The chart below indicates with plug-&-play or other PC accessories can be used with the PCLMK:

	PC3S	PCLMKRD
PCLMK	✓	Included

ACCESSORY MODEL	1	2	3	4	5	REMARKS

Project: _____	Submitted: _____
Customer: _____	Approved: _____
Location: _____	

For more information contact the factory for additional submittal drawings.

S&P will not be responsible for fabrication changes or errors resulting from customer use of a non-current submittal drawing. Grille design may differ.

