



ReFresh RF10-160EC Submittal



RF10-160EC



**Most Efficient
2019**
www.energystar.gov

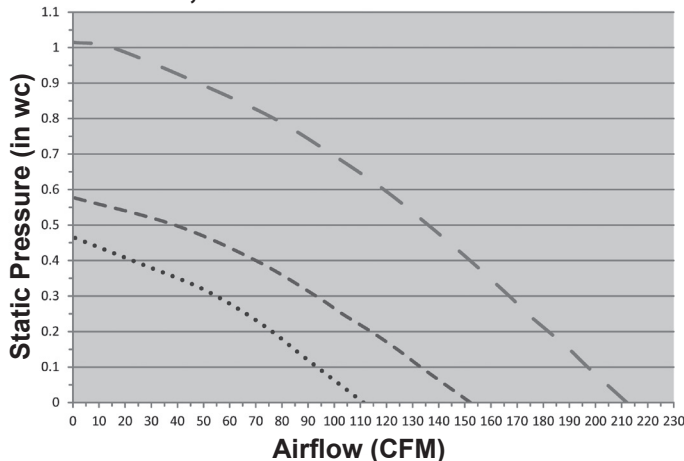
Specifications

- Galvanized, 26 ga., insulated housing
- 6" round duct connectors
- Integral backdraft damper
- Test port for easy air flow measurement
- 2" wide filter slot for optional 10 x 10 x 2" filters
- Integral mounting tabs allow mounting in any orientation'
- Backward inclined wheel
- Speed controllable, EC motor, 120V, 60 Hz
- 4 pole, permanently lubricated, thermally protected motor
- Internally mounted speed control to set required intake with high, medium, and low set points
- 6' power cord
- ENERGY STAR® qualified
- AMCA Air and Sound Licensed
- HVI Certified performance with and without optional MERV13 Filters
- cULus 507 Listed

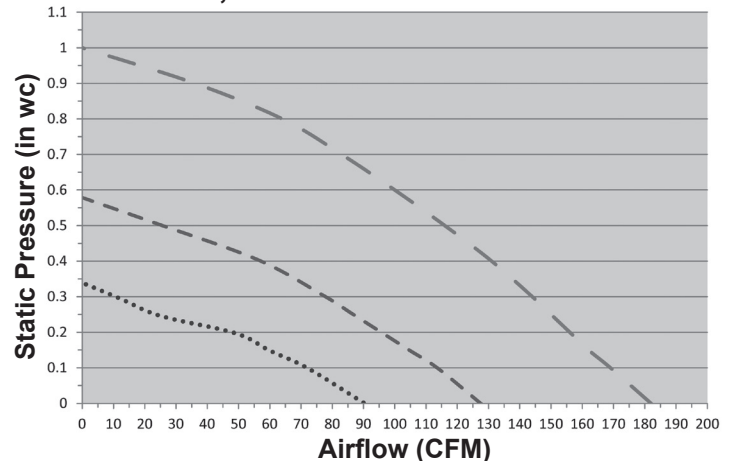
Options and Accessories

- 10 x 10 x 2" MERV8 or MERV13 filters
- ES24V – Envirosense Ventilation Control (loose)
- Steel backdraft dampers
- Motorized backdraft damper
- Duct heater

RF10-160EC, No Filter



RF10-160EC, MERV 13 Filter





ReFresh RF10-160EC

Submittal

HVI Certified Performance

Model	Speed Setting	Speed (RPM)	CFM @ Static Pressure (inches w.g.)								Amps @ .2" SP	Watts @ .2" SP	Efficacy (CFM/Watts) @ .2" SP
			0	.1	.15	.2	.25	.3	.4	.5			
RF10-160EC	LS	1340	84	65	53	40	27	-	-	-	0.13	7.5	7.1
	MS	1730	139	120	110	100	91	78	52	-	0.25	15.6	6.9
	HS	2300	201	185	177	170	163	155	139	121	0.54	34	5.1
RF10-160EC (With MERV 13 Filter)	LS	1340	68	52	42	30	19	-	-	-	0.13	7.2	5.6
	MS	1730	126	108	99	90	78	68	46	-	0.26	15.6	5.8
	HS	2300	176	162	156	150	143	136	121	105	0.56	35.5	4.2

Speed is Nominal.

AMCA Certified Performance

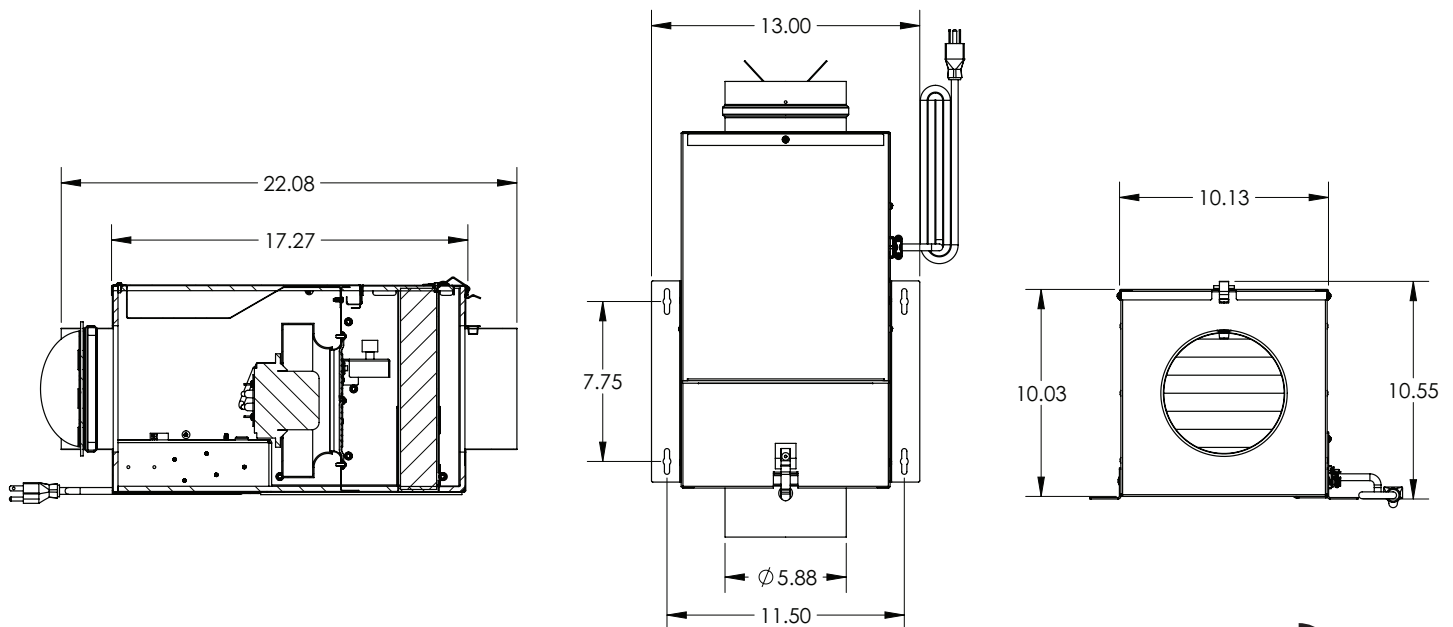
Model	Speed Setting	Speed (RPM)	CFM @ Static Pressure (inches w.g.)								Sones @ .2" SP	Amps @ .2" SP	Watts @ .2" SP
			0	.1	.15	.2	.25	.3	.4	.5			
RF10-160EC	LS	1330	111	88	77	64	48	26	-	-	1.5	0.12	8.2
	MS	1730	152	133	124	114	103	93	70	39	3.4	0.23	15.7
	HS	2300	212	197	190	182	174	167	152	136	6.0	0.49	35.1
RF10-160EC (With MERV 13 Filter)	LS	1330	90	72	60	49	25	12	-	-	1.4	0.12	7.5
	MS	1730	127	113	104	95	86	77	56	24	3.7	0.22	15.7
	HS	2300	182	169	162	156	150	144	131	116	5.0	0.48	35.8

Speed is Nominal. Performance certified is for installation type D: Ducted inlet, Ducted outlet. Performance ratings do not include the effects of appurtenances.



S&P USA Ventilation Systems, LLC., Div. of Soler & Palau Ventilation Group, certifies that the Models RF10 shown herein are licensed to bear the AMCA Seal. The ratings shown are based on test and procedures performed in accordance with AMCA Publication 211 and AMCA Publication 311 and comply with the requirement of the AMCA Certified Ratings Program.

Dimensions (in)



All specifications are subject to change without notice unless approved in submittal by S&P USA.
RF10-160EC_V.3 / 02-2019

