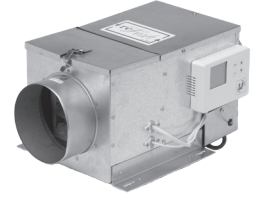




ReFresh RF8-120EC-ES24V Submittal



RF8-120EC-ES24V



EcoWatt®



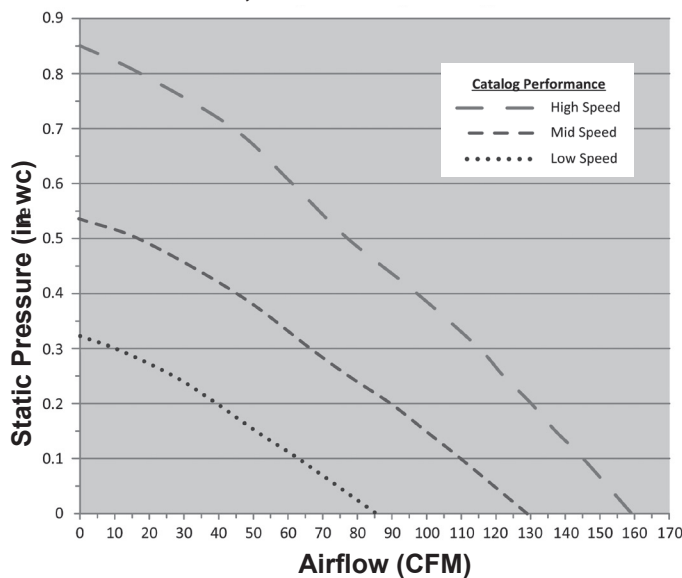
Specifications

- ES24V – Envirosense Ventilation Control mounted to outside of unit
- Low profile, galvanized, 26 ga., insulated housing
- 6” round duct connectors
- Test port for easy air flow measurement
- 2” wide filter slot for optional 8 x 8 x 2” filters
- Integral mounting tabs allow mounting in any orientation
- Backward inclined wheel
- Speed controllable, EC motor, 120V, 60 Hz
- 4 pole, permanently lubricated, thermally protected motor
- Internally mounted speed control to set required intake with high, medium, and low set points
- 6’ power cord
- ENERGY STAR® qualified
- cULus 507 Listed

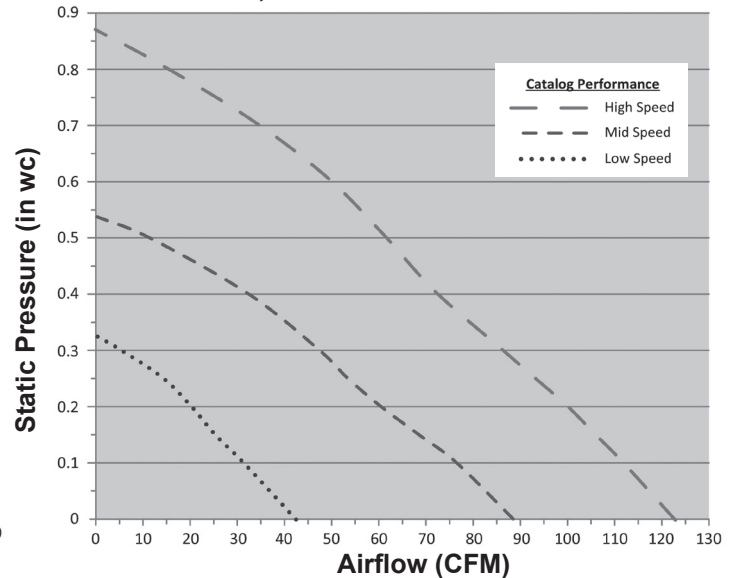
Options and Accessories

- 8 x 8 x 2” MERV8 or MERV13 filters
- Steel backdraft dampers
- Motorized backdraft damper
- Duct heater

RF8-120EC, No Filter



RF8-120EC, MERV 13 Filter





ReFresh RF8-120EC-ES24V

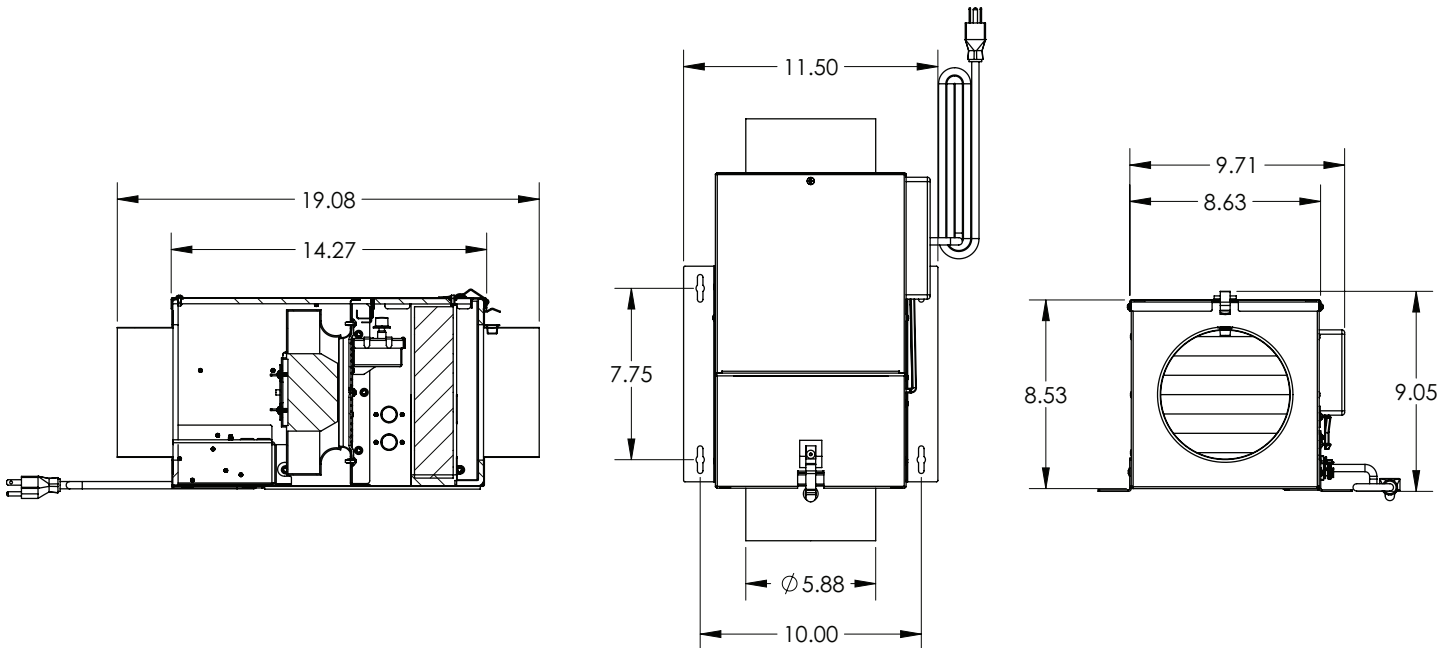
Submittal

HVI Certified Performance

Model	Speed Setting	Speed (RPM)	CFM @ Static Pressure (inches w.g.)								Amps @ .2" SP	Watts @ .2" SP	Efficacy (CFM/Watts) @ .2" SP
			0	.1	.15	.2	.25	.3	.4	.5			
RF8-120EC	LS	1300	85	63	51	40	28	-	-	-	0.13	7.2	6.6
	MS	1670	129	110	100	90	78	67	46	-	0.25	14.4	6.3
	HS	2100	159	145	137	130	122	115	97	77	0.45	27.6	4.9
RF8-120EC (With MERV 13 Filter)	LS	1300	42	31	25	20	14	-	-	-	0.12	6.9	5.3
	MS	1670	88	76	68	60	53	47	32	-	0.23	13.9	5.0
	HS	2100	123	112	106	100	93	86	72	61	0.44	26.7	4.0

Speed is Nominal.

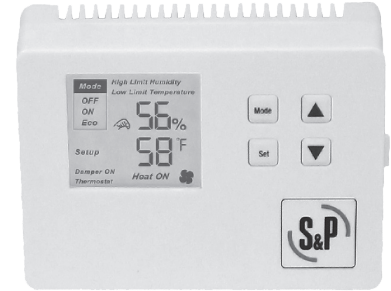
Dimensions (in)





ES24V - Envirosense Ventilation Control Submittal

The ES24V control can be used with our RF-reFresh, TD-MIXVENT, TD-SILENT, PV-POWERVENT, or TR-ERVs. When paired with S&P fans the ES24V provides fully controllable fresh air into a residence. With three modes (Off, On, and Eco-Mode) the ES24V ensures compliance with today's outside air codes.



- “Off” allows for manual override as required by the code
- “On” allows for continuous operation
- “Eco-Mode” allows homeowner to set humidity and/or temperature minimum and maximums. When min and max are sensed the fan will not bring in outside air. When the outside air is within the min and max range the fan will operate at the set time limit or continuously to meet the code requirements, i.e. 15 minutes every 4-hours

Features

- Easy to read, back-lit LCD screen
- 24-volt control
- Simple setup with four-button interface
- Can be set to run supply fan continuously or intermittently or using Eco-Mode to turn fan off at set temperature/humidity
- Measures outdoor temperature to stop ventilation at adjustable high and low outdoor temperature lockouts
- Measures outdoor humidity to stop ventilation at adjustable high and low humidity lockouts
- Control programming maintains ASHRAE 62.2-2010 even during high and low temperature limit lockouts
- Installation flexibility – ability to override humidity and temperature control
- Inputs for optional duct heater and motorized damper

Dimensions

