



MODEL TRCe800V

(Energy Recovery Ventilators (ERV) with EC Motor)



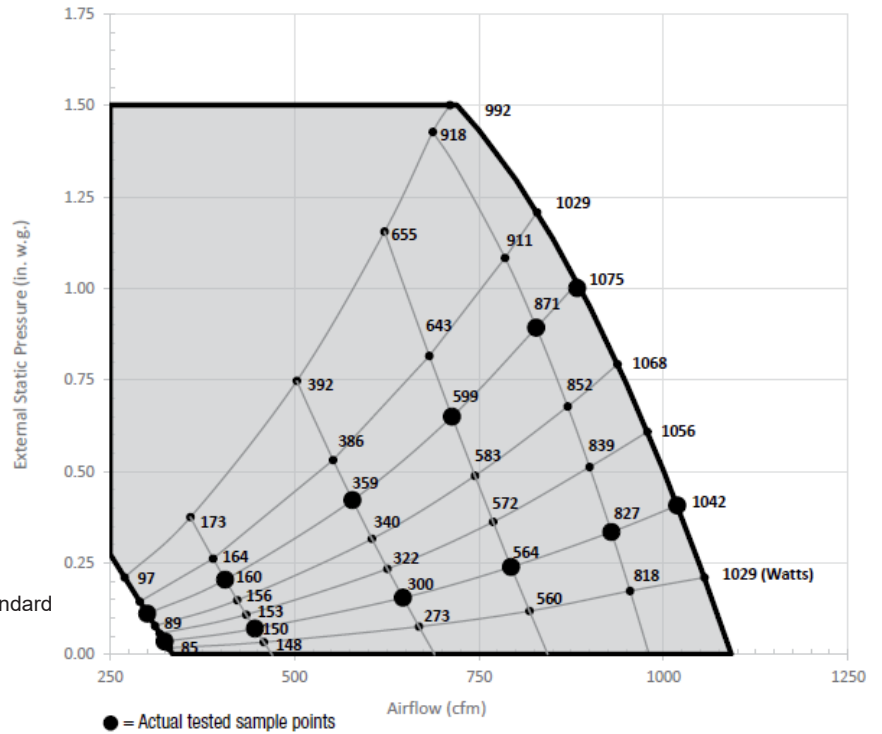
Specifications

Ventilation Type: Static Plate, Heat and Humidity Transfer					
Typical Airflow Range: 250-1,100 CFM					
AHRI 1060 Certified Core: One L125-G5					
Motors: Two, 0.5 hp Direct Drive EC blower/motor package					
V	Hz	Phase	FLA (per motor)	Min. Cir. Amps	Max. Overcurrent Protection Device
115	60	Single	8.1	18.2	25
208-230	60	Single	4.8	10.8	15
Standard Features: Non-fused disconnect 24 VAC transformer/relay package Cross-core differential pressure ports					
Filters: Two total, MERV 8, pleated, 20" x 20" x 2" nominal size					
Weight: 204 lbs (unit), 325 lbs (shipping)					
Shipping Dimensions: 42" L x 30" W x 71" H					

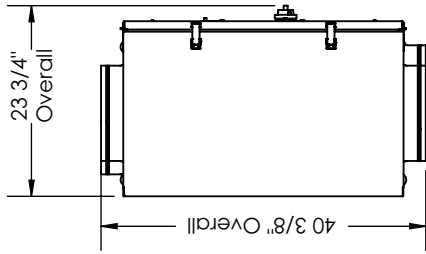
Performance

Airflow CFM	ESP in H ₂ O	Watts
324	0.04	86
446	0.07	150
647	0.15	300
794	0.24	564
929	0.33	827
1019	0.41	1042
300	0.11	91
406	0.20	160
579	0.42	359
713	0.65	599
828	0.89	871
883	1.00	1075

Note: Watts is for the entire unit.
Note: Airflow performance includes effect of clean, standard filter supplied with unit.



Dimensions

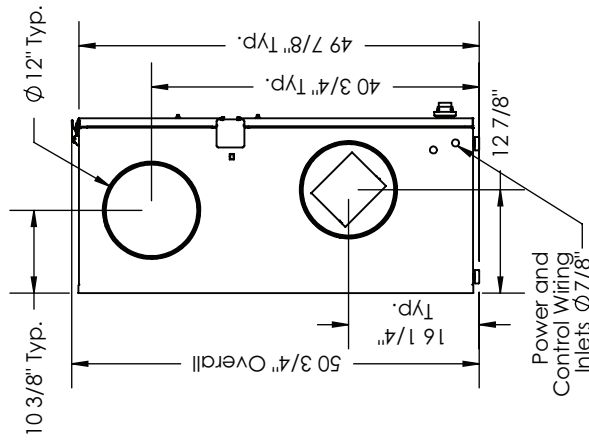


ABBREVIATIONS
 EA: Exhaust Air to Outside
 RA: Room Air to be Exhausted
 FA: Fresh Air to Inside
 OA: Outside Air Intake

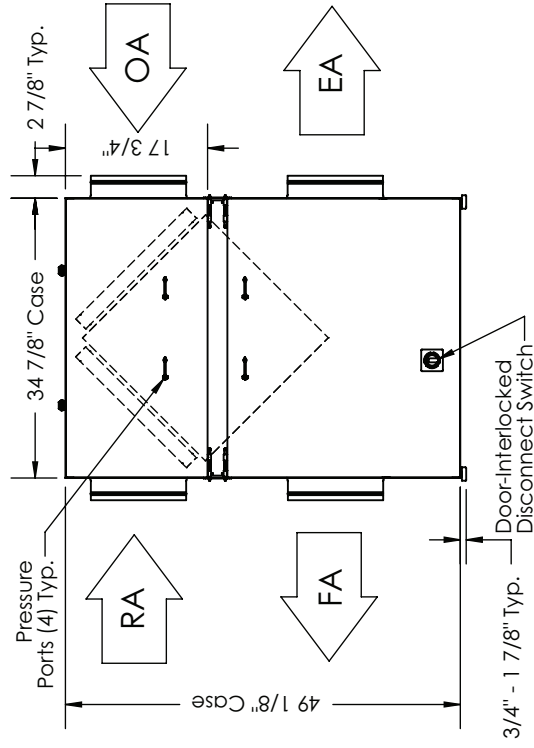
INSTALLATION ORIENTATION
 Unit may be installed in any orientation.
 RAVEA airstream can be switched with OA/FA airstream.

NOTE:
 1. UNLESS OTHERWISE SPECIFIED, DIMENSIONS ARE ROUNDED TO THE NEAREST EIGHTH OF AN INCH.
 2. SPECIFICATIONS MAY BE SUBJECT TO CHANGE WITHOUT NOTICE.

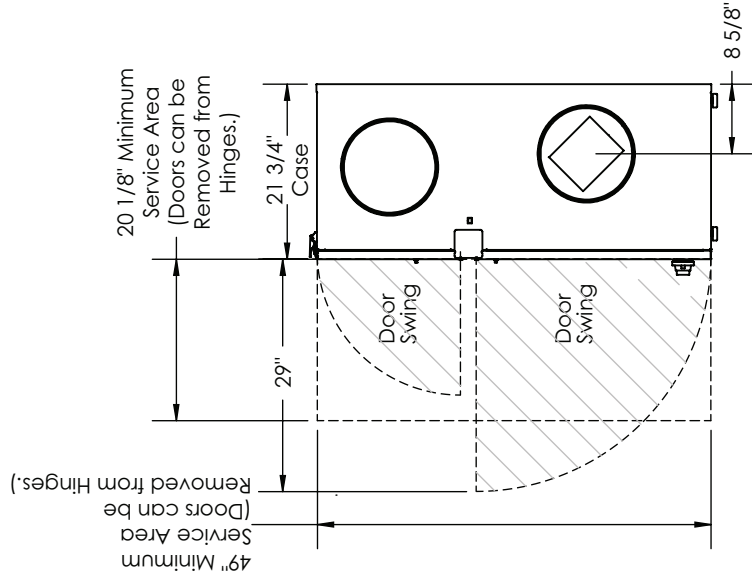
TOP VIEW



LEFT VIEW



FRONT VIEW



RIGHT VIEW