



# MODEL TRCe500

(Energy Recovery Ventilators (ERV) with EC Motor)



## Specifications

Ventilation Type: Static Plate, Heat and Humidity Transfer					
Typical Airflow Range: 200-530 CFM					
AHRI 1060 Certified Core: One L85-G5					
Airflow Rating Points (for AHRI): 450 CFM and 338 CFM					
Motors: One, 0.5 HP, Direct Drive EC blower/motor package					
V	Hz	Phase	FLA	Min. Cir. Amps	Max. Overcurrent Protection Device
120	60	Single	8.1	10.1	15
208-230	60	Single	4.8	6.0	15
Standard Features: Non-fused disconnect 24 VAC transformer/relay package Cross-core differential pressure ports					
Filters: Two total, MERV 8, 2" pleated, 14" x 20" nominal size					
Weight: 140-202 lbs (unit), 250 lbs (Shipping)					
Shipping Dimensions: 62" L x 42" W x 22" H					

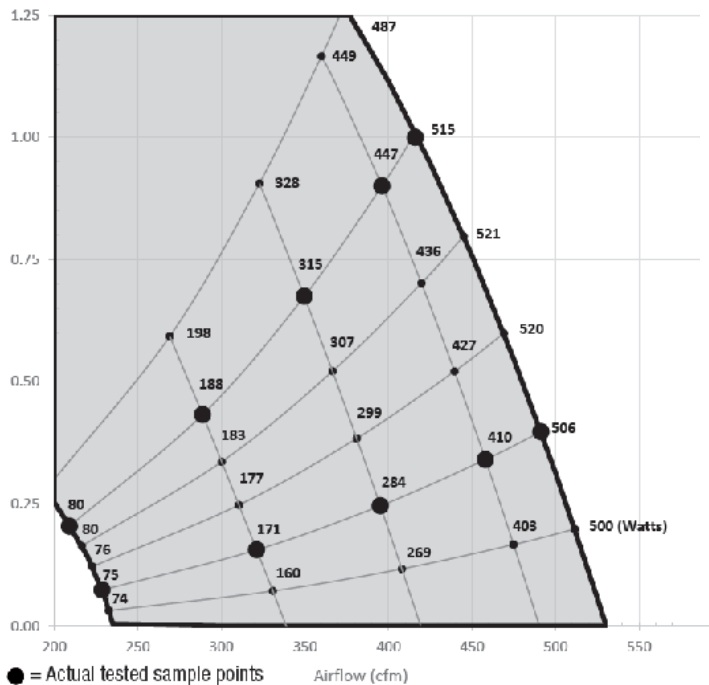
## Unit Performance

Airflow CFM	ESP in H <sub>2</sub> O	Watts
229	0.07	75
321	0.16	171
395	0.25	284
458	0.34	410
491	0.40	506
209	0.20	80
289	0.43	188
350	0.67	315
396	0.90	447
416	1.00	515

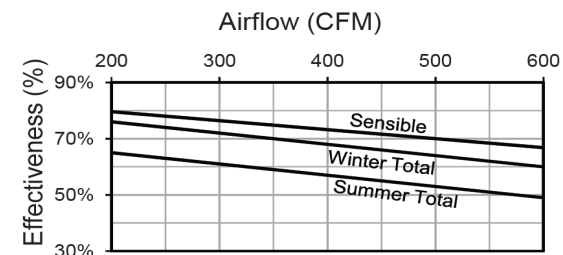
Note: Watts is for the entire unit.

Note: Airflow performance includes effect of clean, standard filter supplied with unit.

## Motor Option Operating Range



## Core Performance



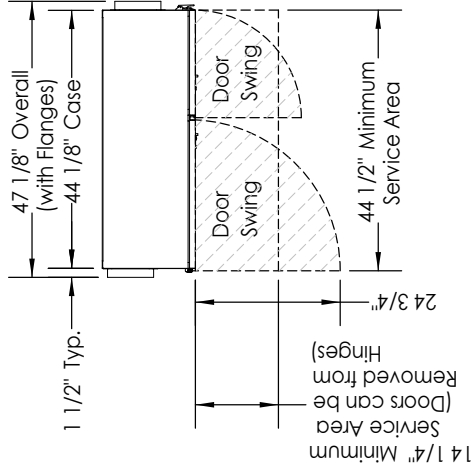
All specifications are subject to change without notice unless approved in submittal by S&P.  
TRCe500\_Submittal - 02032020

# Dimensions

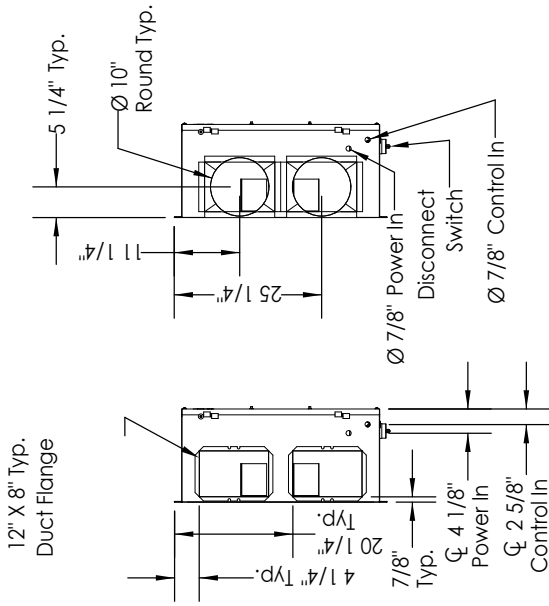
**ABBREVIATIONS**  
 EA: Exhaust Air to outside  
 OA: Outside Air intake  
 RA: Room Air to be exhausted  
 FA: Fresh Air to inside

**INSTALLATION ORIENTATION**  
 Unit may be installed in any orientation.

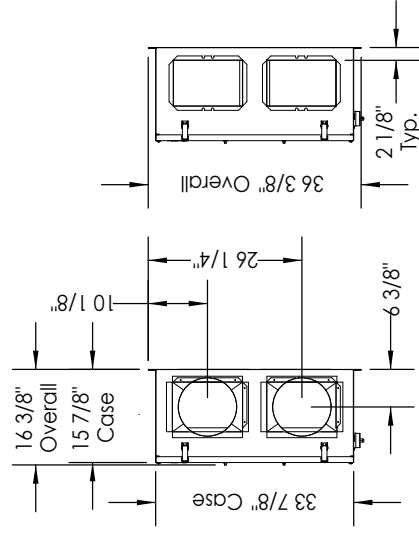
**NOTE**  
 1. UNLESS OTHERWISE SPECIFIED,  
 DIMENSIONS ARE ROUNDED TO THE  
 NEAREST EIGHTH OF AN INCH.



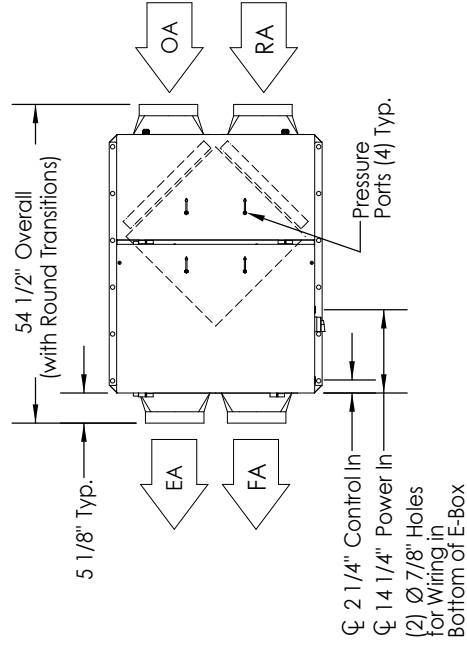
TOP VIEW



LEFT VIEW



FRONT VIEW



RIGHT VIEW